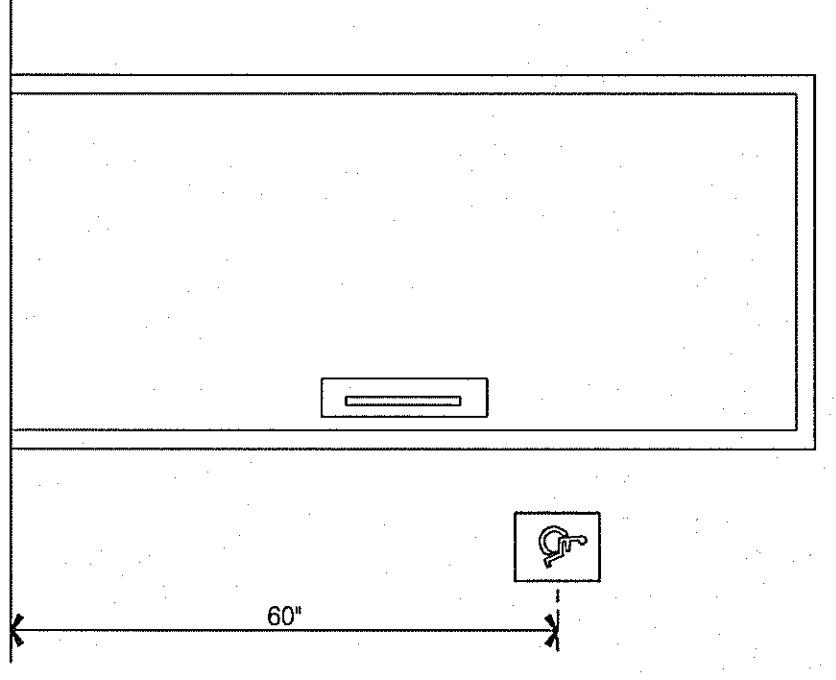
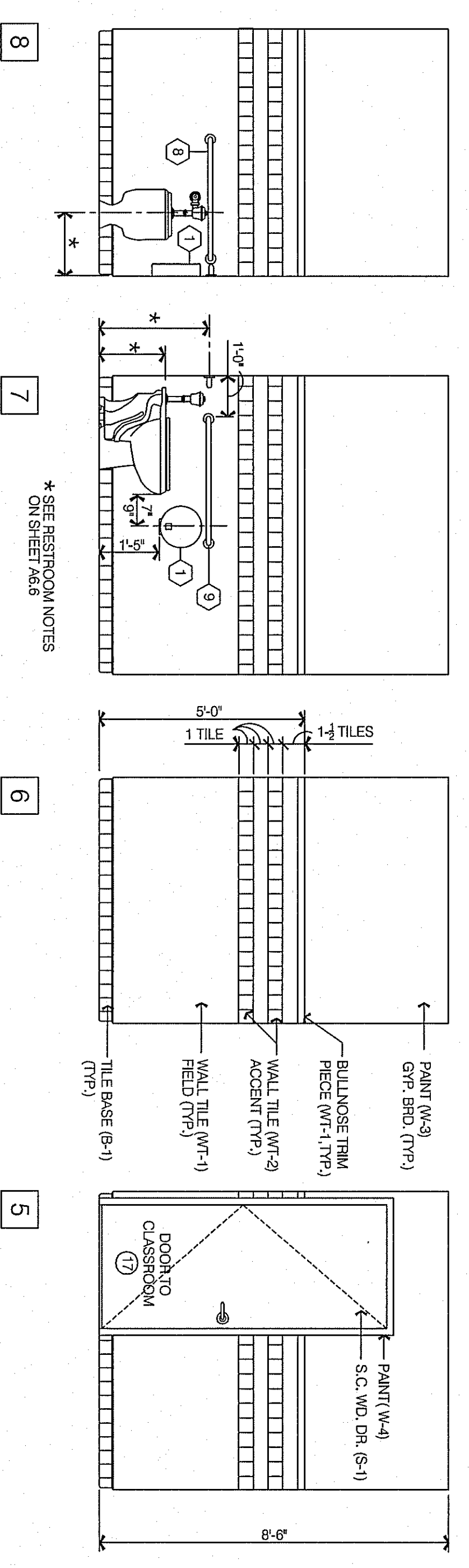


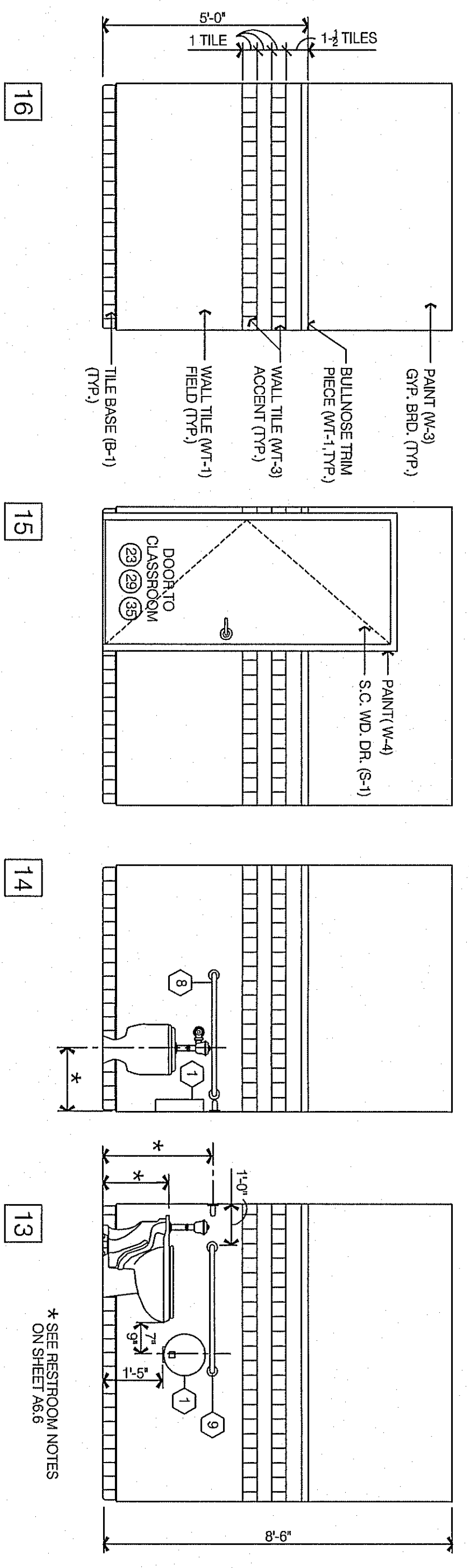
TYP. GRAB BAR DETAIL SCALE: 3/8" = 1'-0"



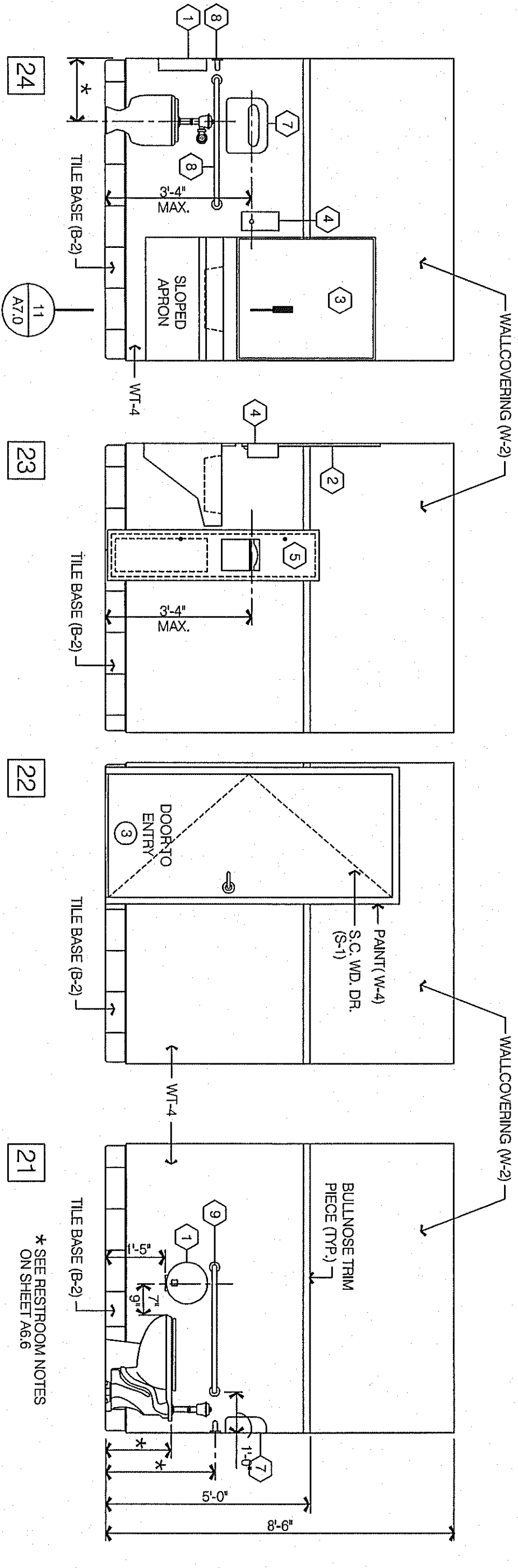
ACCESSIBLE RESTROOM DOORS N.I.S. 2



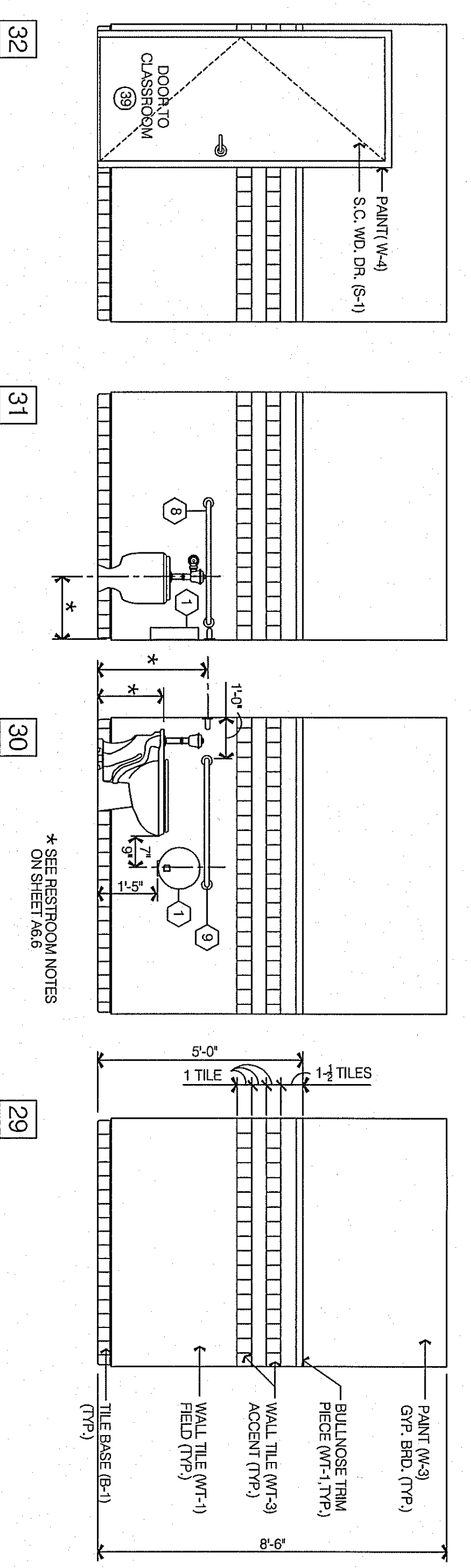
GIRLS RESTROOM ELEVATIONS SCALE: 3/8" = 1'-0"



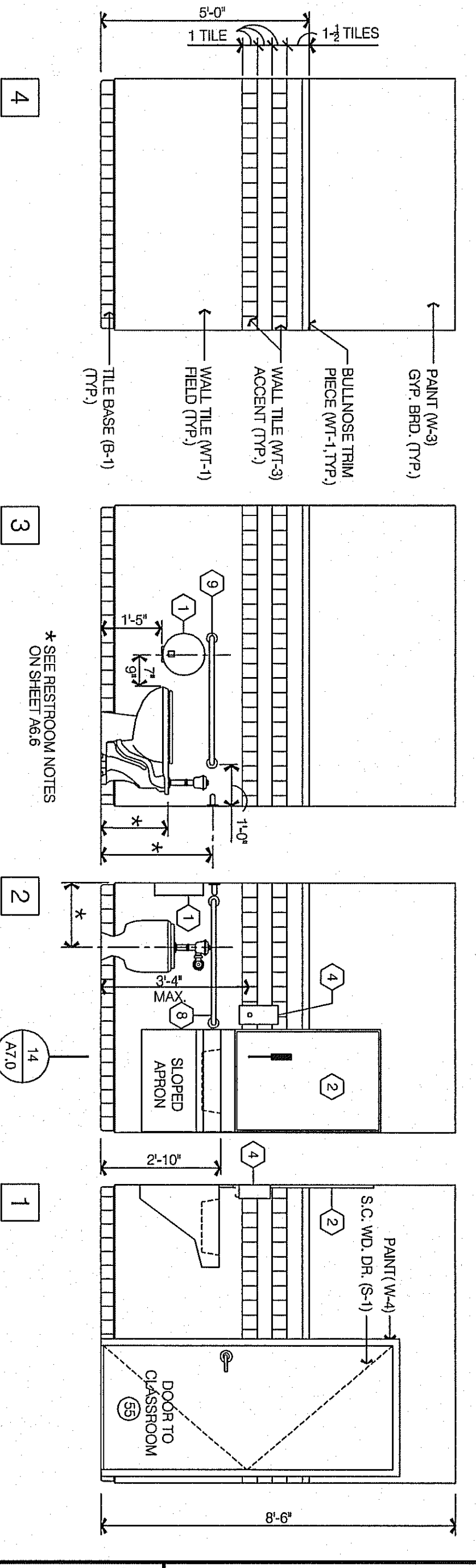
BOYS RESTROOM ELEVATIONS SCALE: 3/8" = 1'-0"



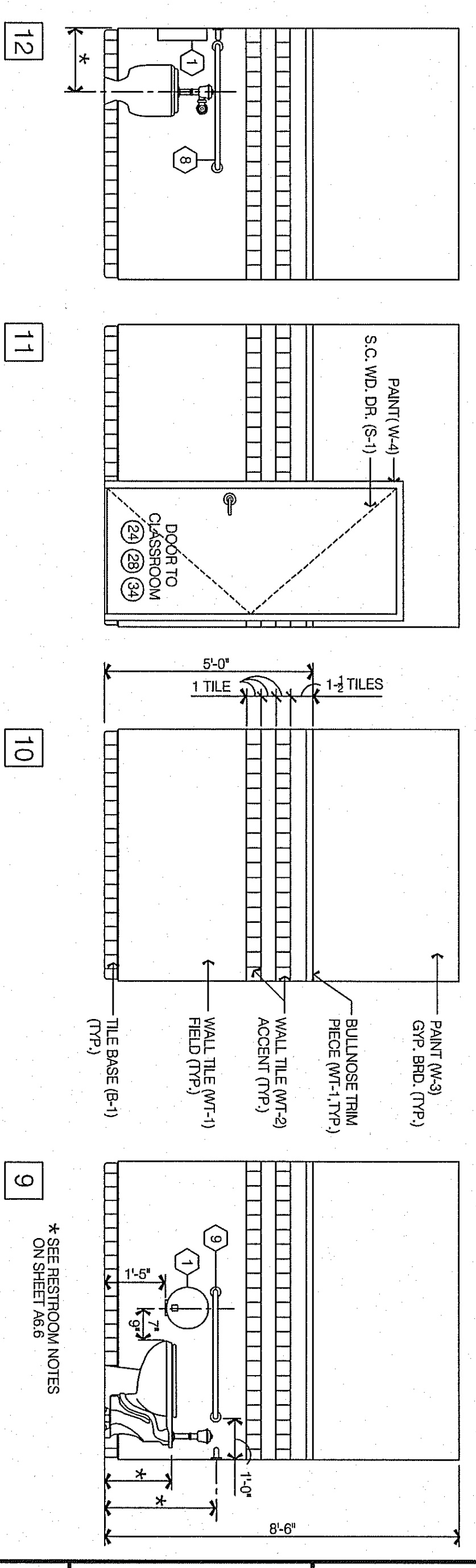
RESTROOM ELEVATIONS SCALE: 3/8" = 1'-0"



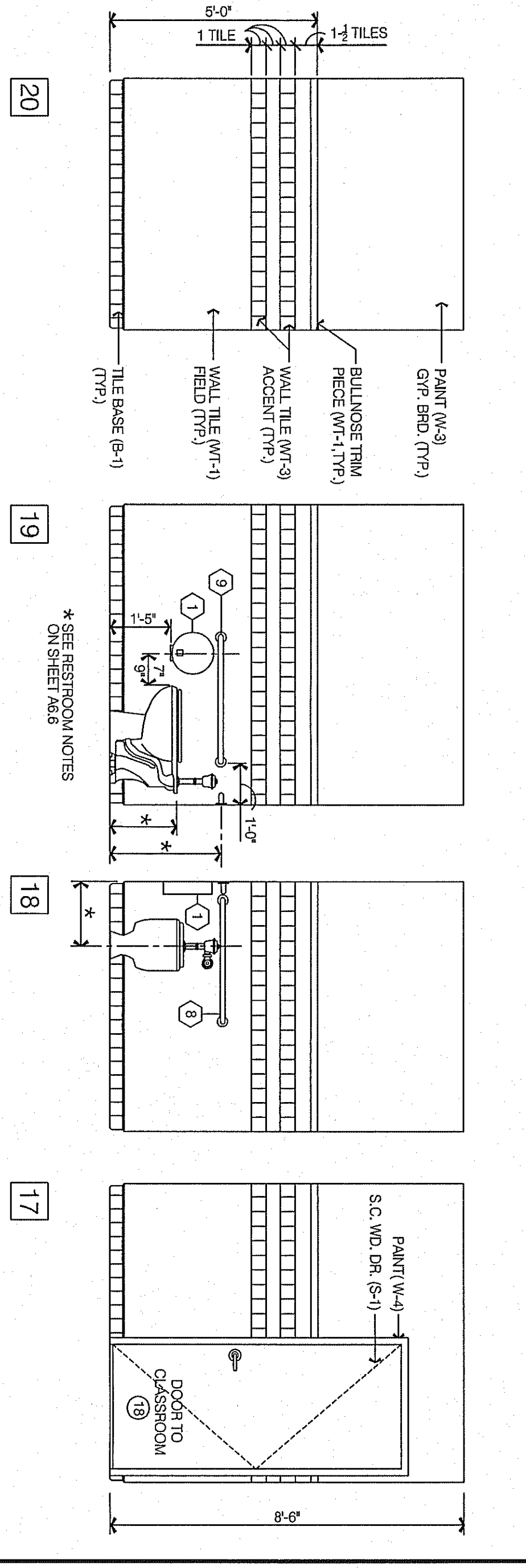
BOYS RESTROOM ELEVATIONS SCALE: 3/8" = 1'-0"



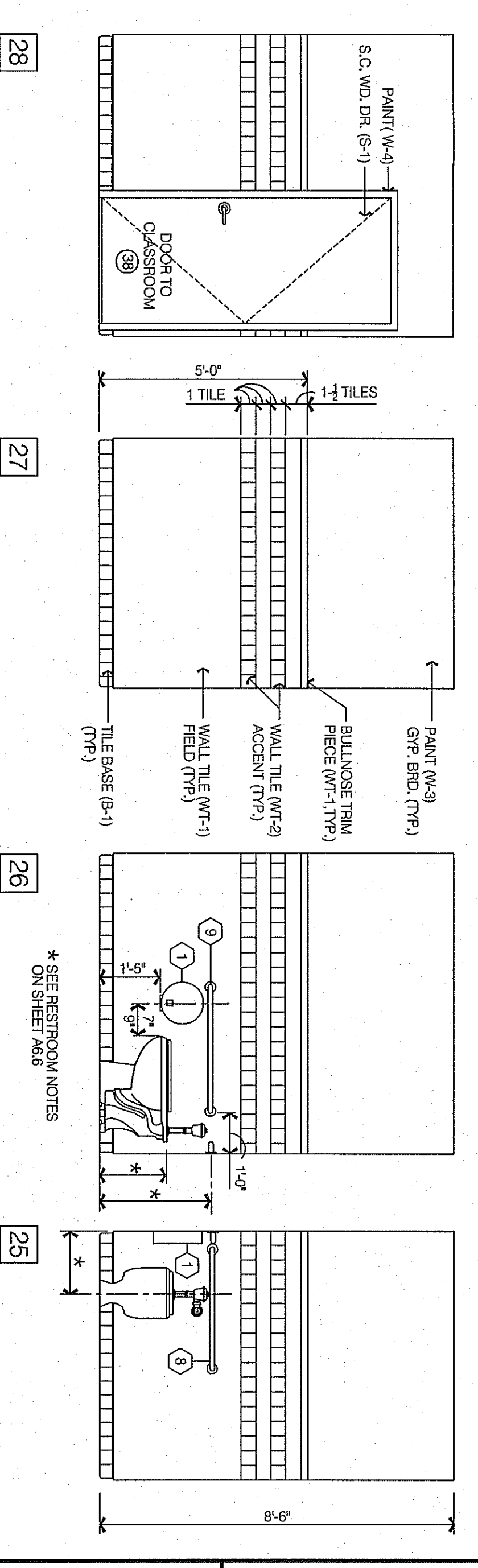
BOYS RESTROOM ELEVATIONS SCALE: 3/8" = 1'-0"



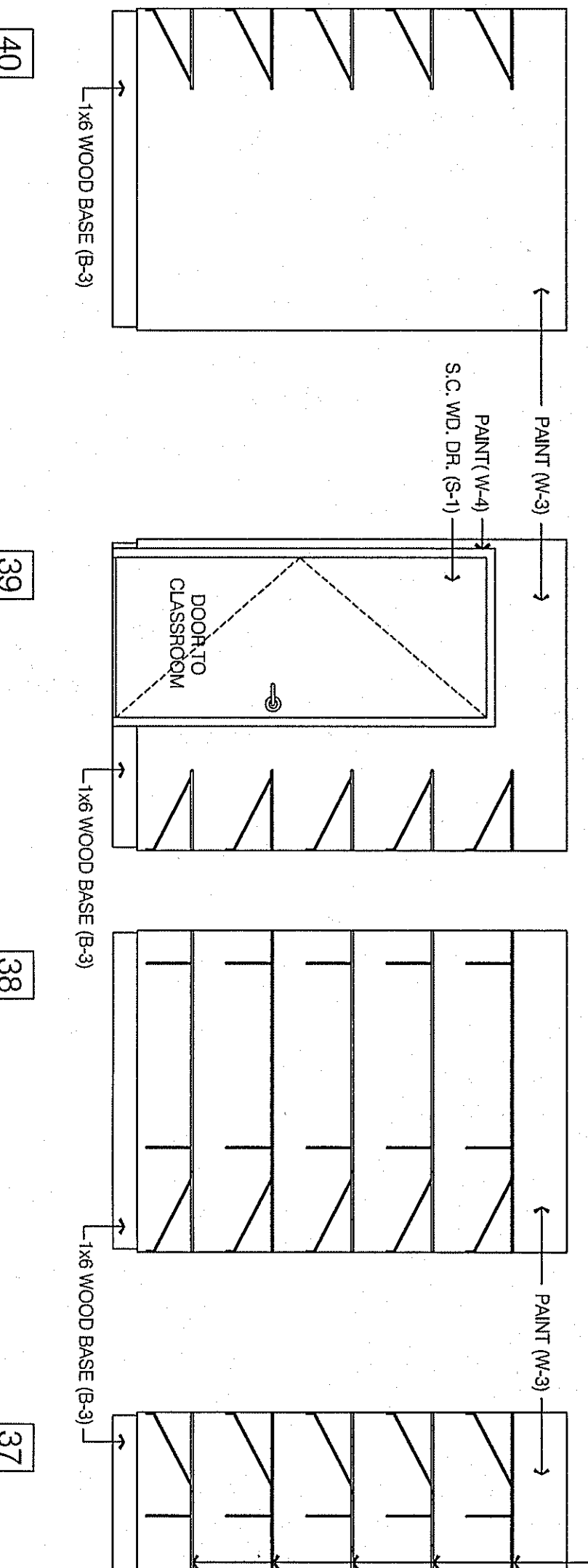
GIRLS RESTROOM ELEVATIONS SCALE: 3/8" = 1'-0"



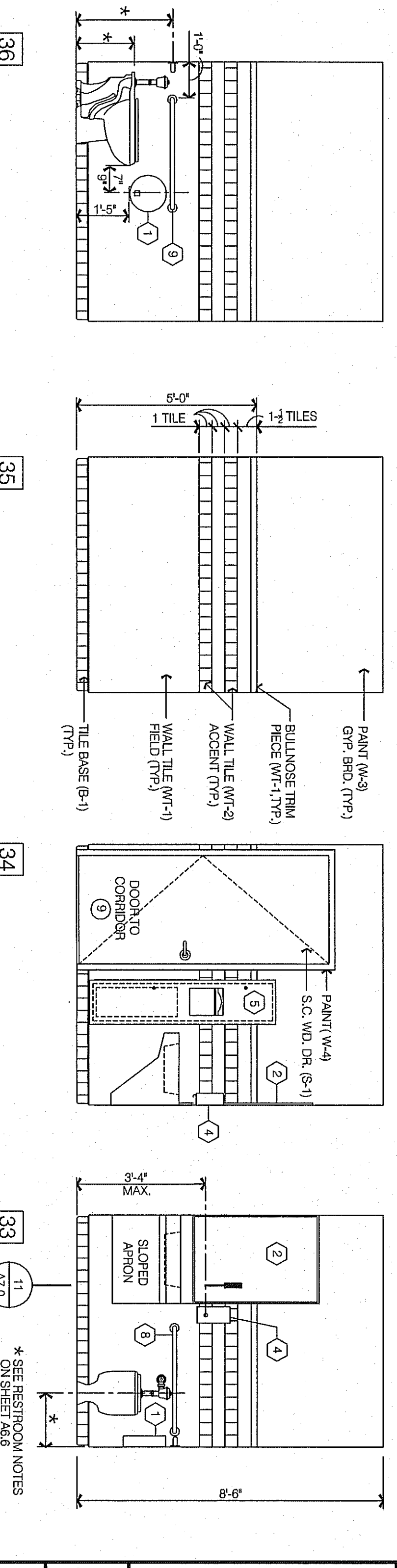
BOYS RESTROOM ELEVATIONS SCALE: 3/8" = 1'-0"



GIRLS RESTROOM ELEVATIONS SCALE: 3/8" = 1'-0"



TYP. CLOSET ELEVATIONS SCALE: 3/8" = 1'-0"



LUNCH ROOM RESTROOM ELEVATIONS SCALE: 3/8" = 1'-0"

dennis j. dubey, architect
 6327 Point Twenty Two
 Gainesville, Georgia 30506
 770-591-1515 (S) 770-591-1516 (F)
 E-Mail: djd@arch@bellsouth.net

NOT RELEASED FOR CONSTRUCTION
 PROFESSIONAL SEAL

PROJECT LOCATION
 800 OLD ATLANTA ROAD
 GAINESVILLE, GA 30601



REVISIONS

INTERIOR ELEVATIONS

DATE PROJECT No.
 8-17-09 29001
 SHEET No.

AG.7