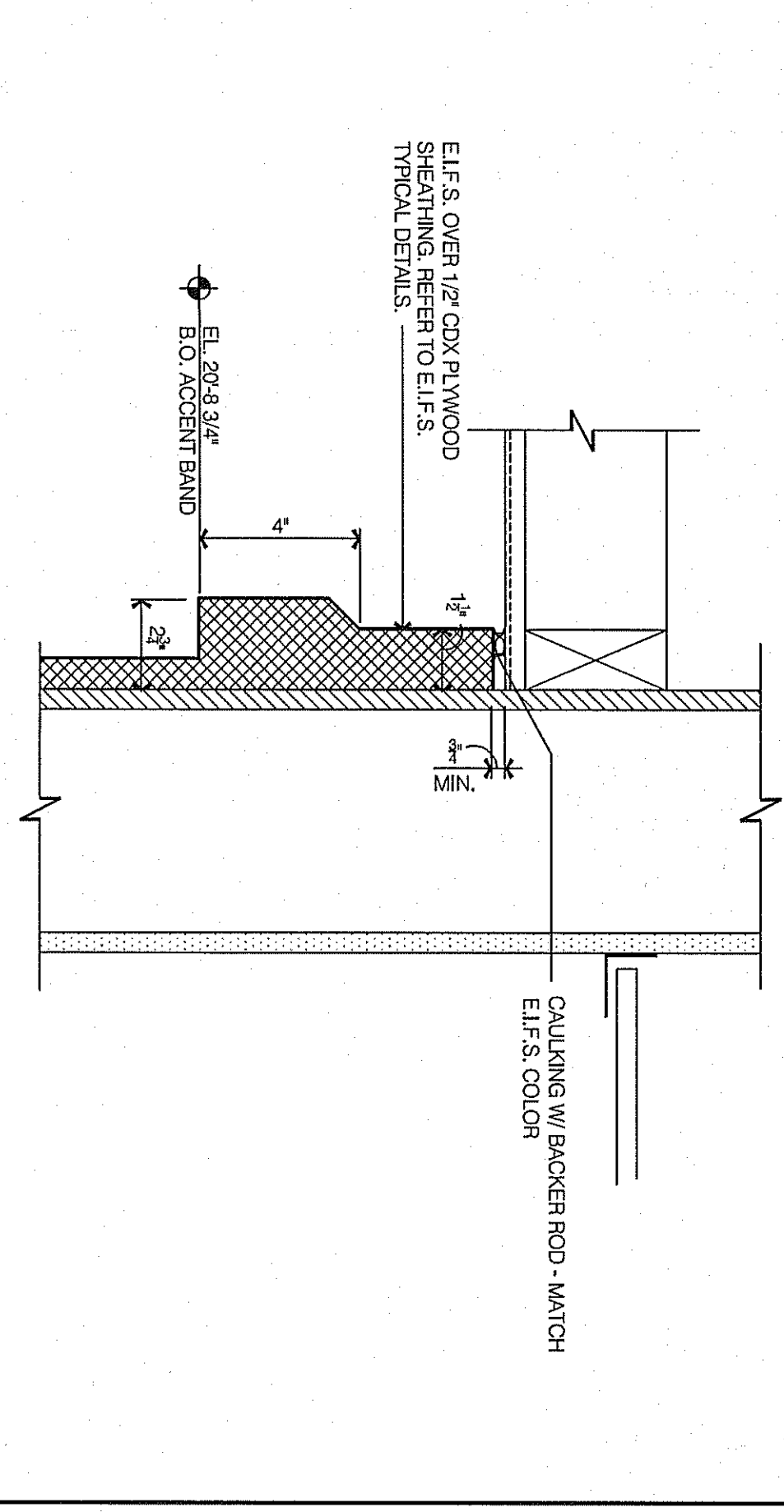
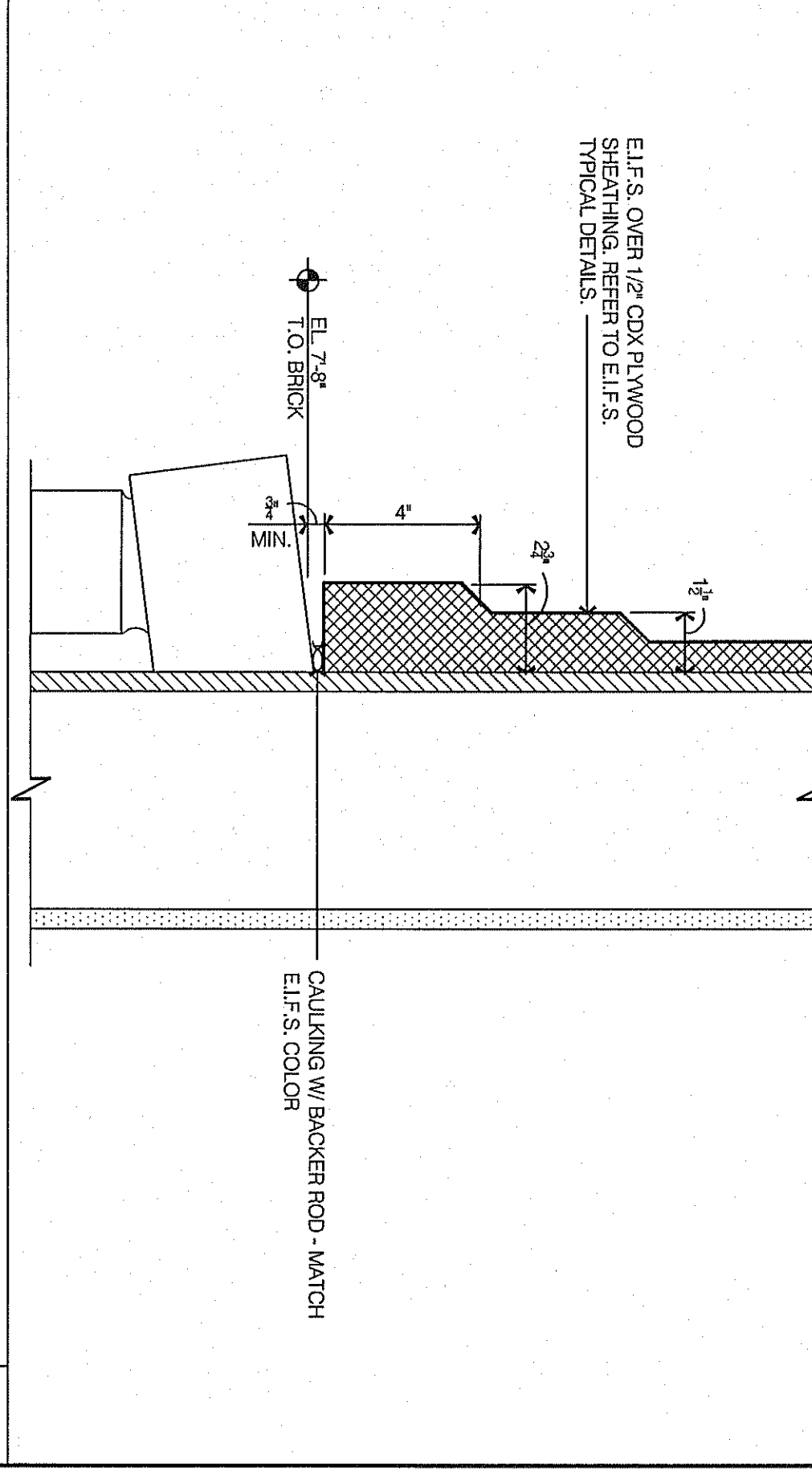


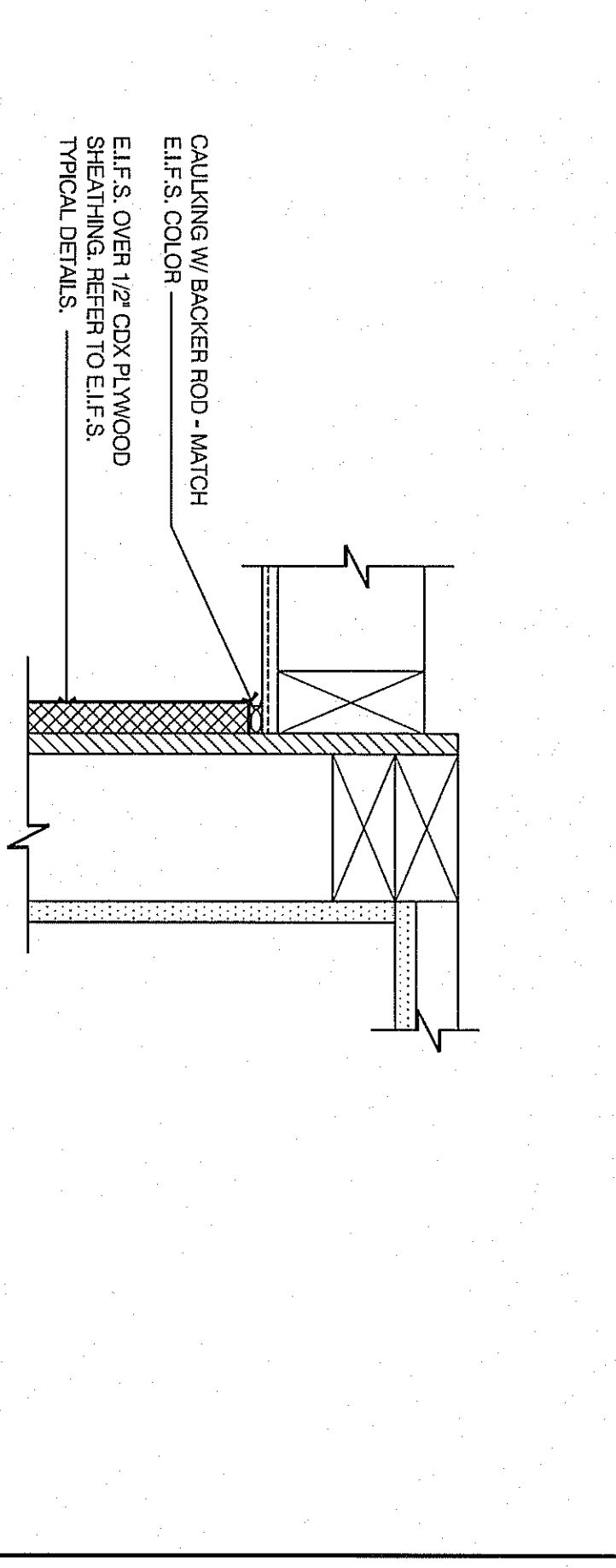
SECTION SCALE 3/4" = 1'-0"



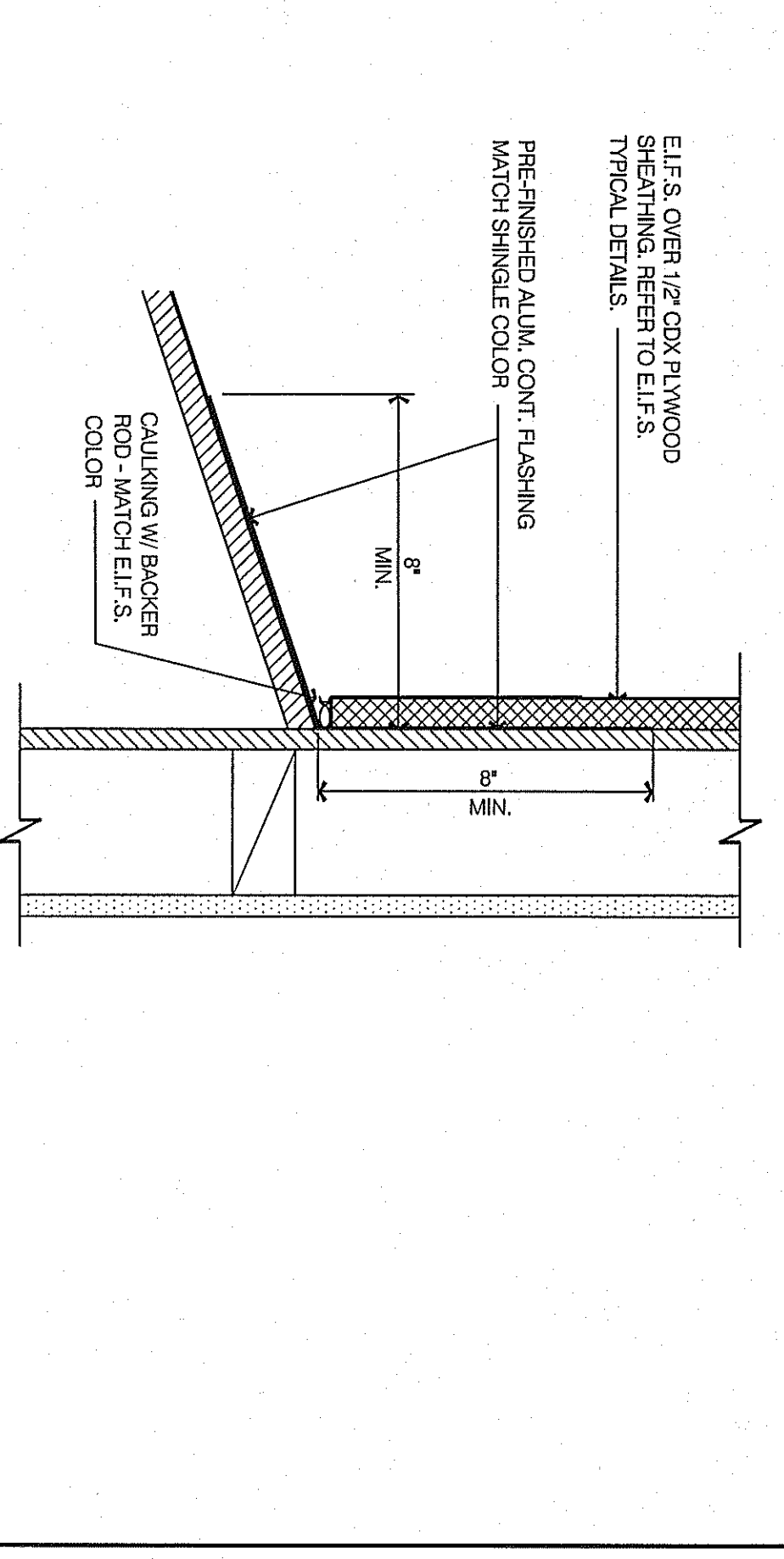
DETAIL SCALE 3/4" = 1'-0"



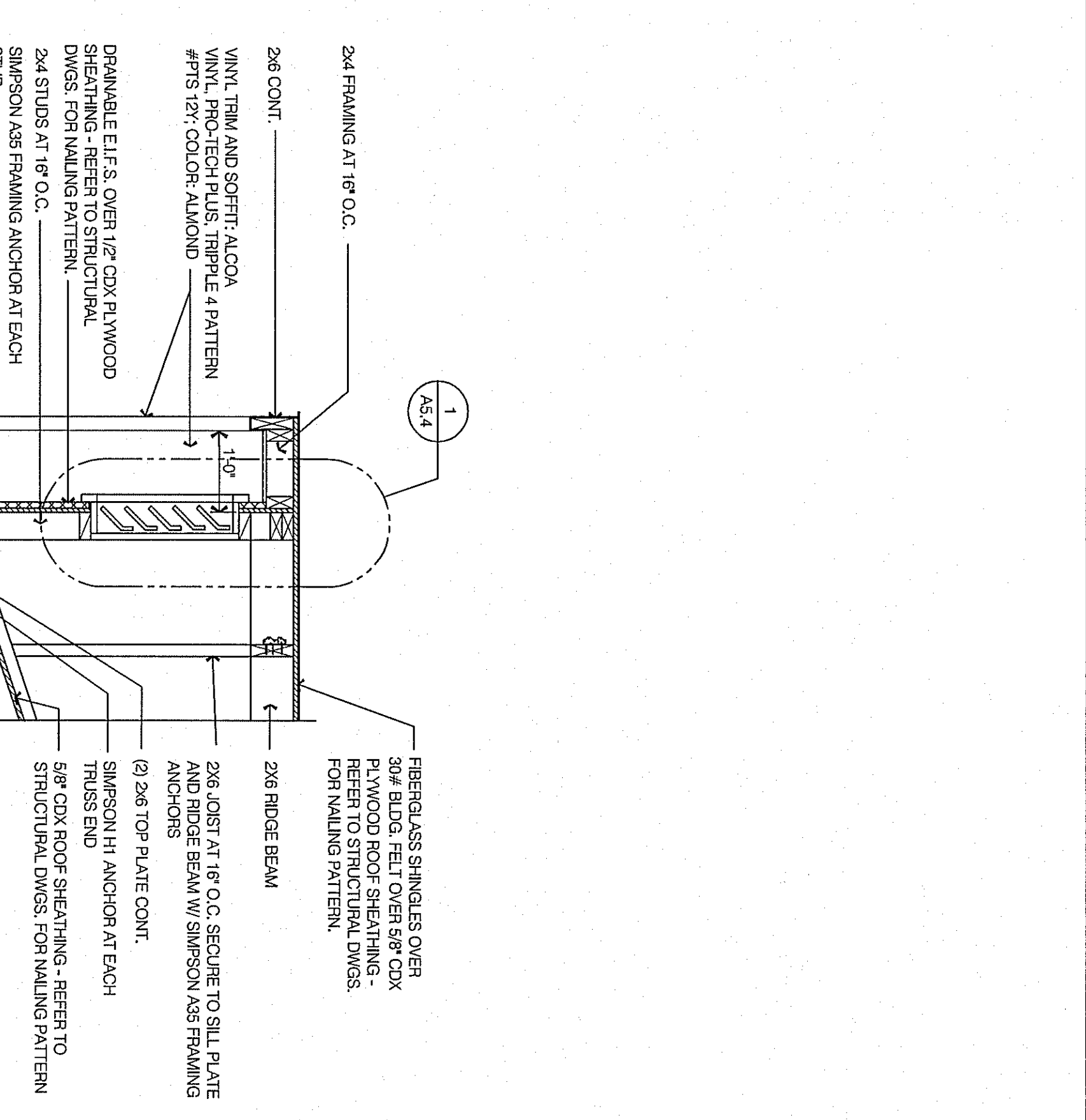
DETAIL SCALE 3/4" = 1'-0"



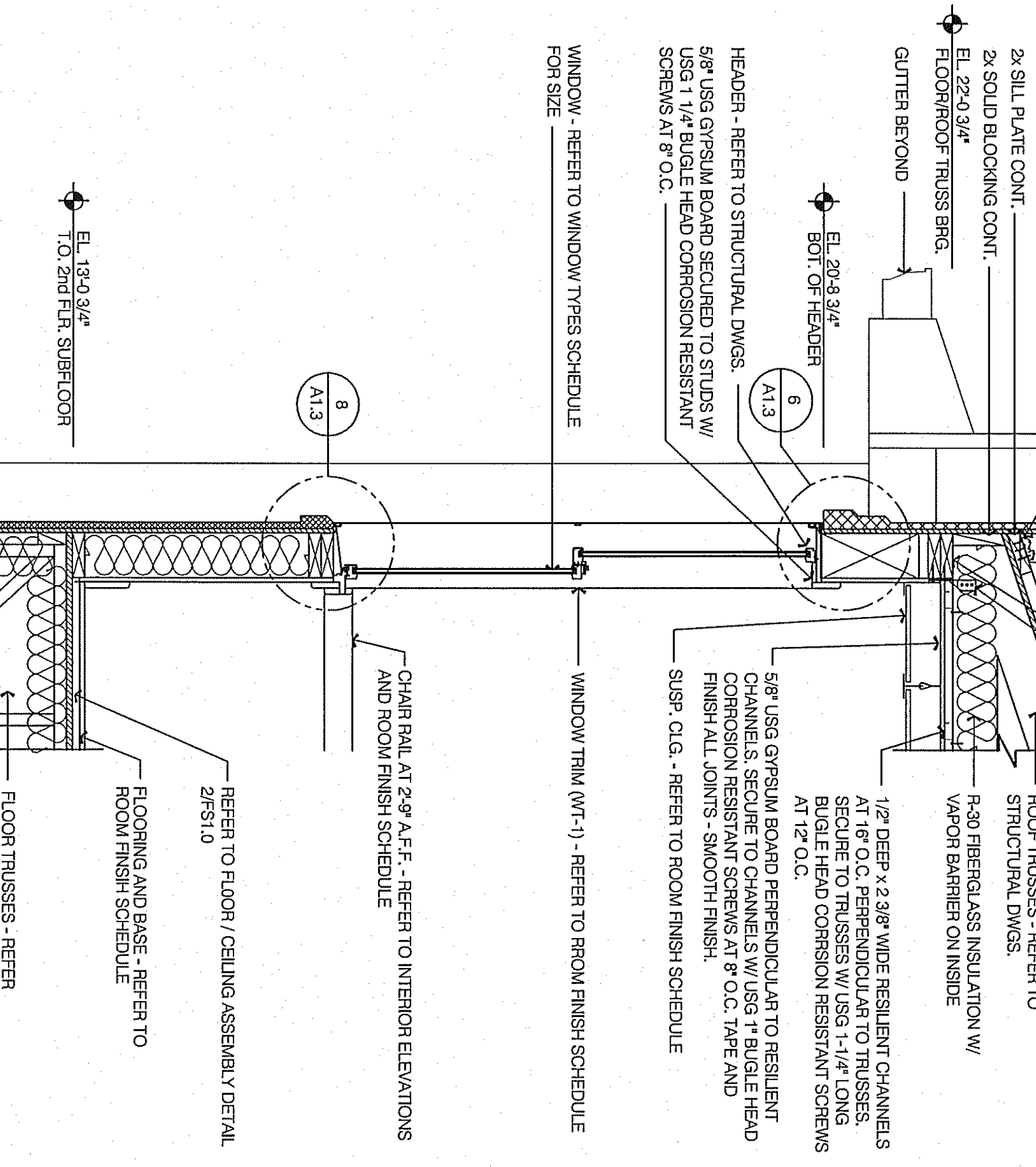
DETAIL SCALE 3/4" = 1'-0"



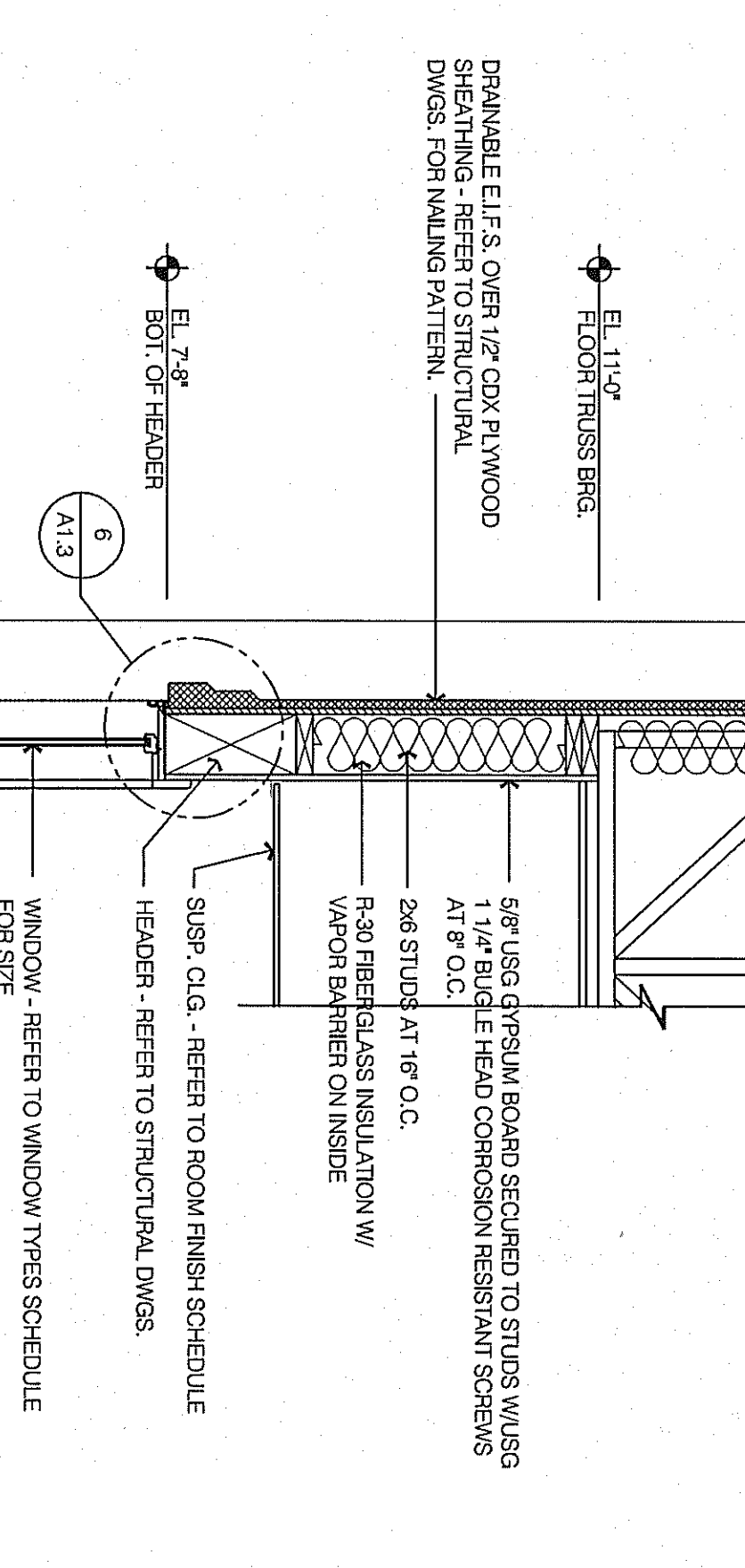
DETAIL SCALE 3/4" = 1'-0"



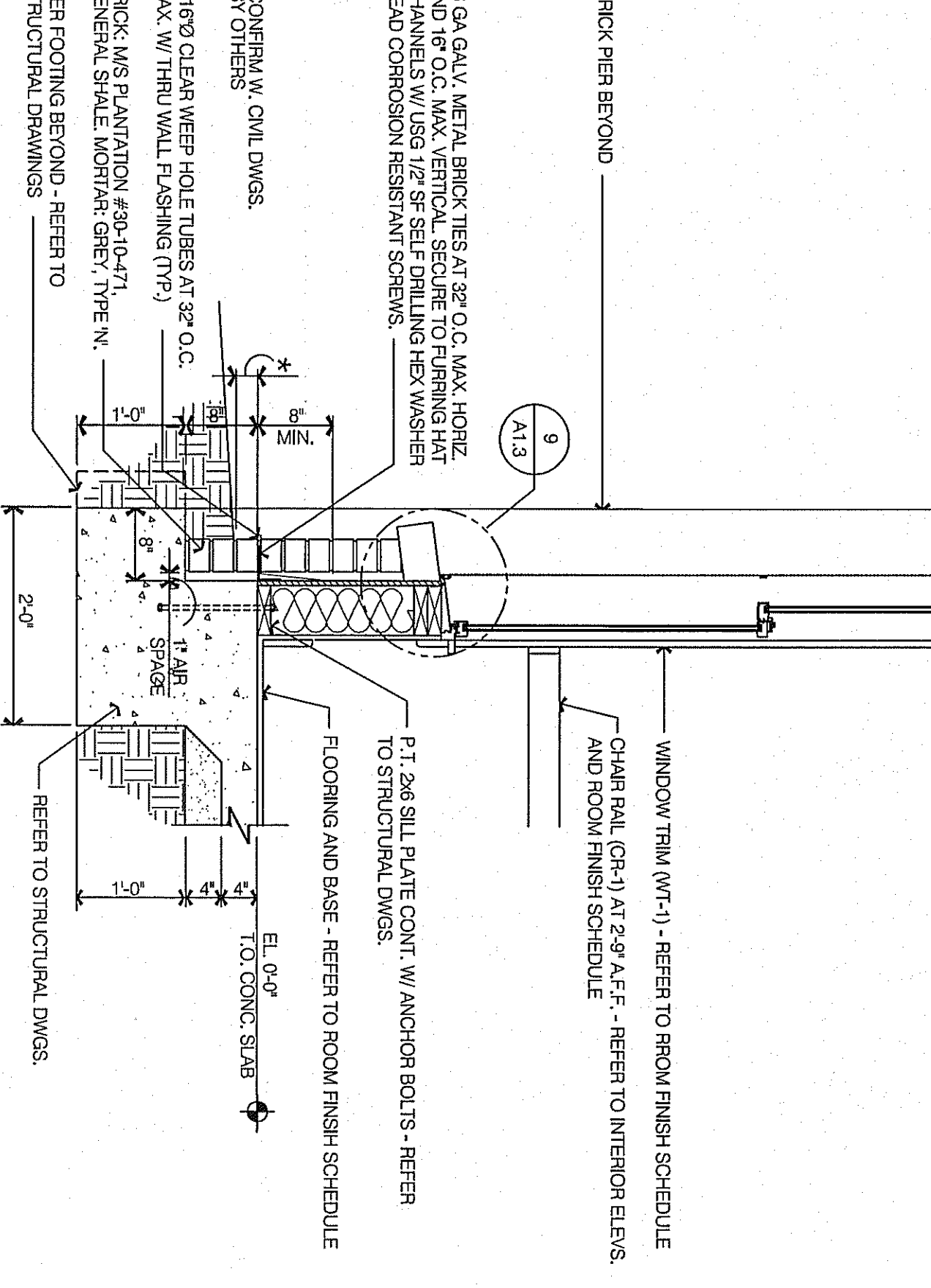
SECTION SCALE 3/4" = 1'-0"



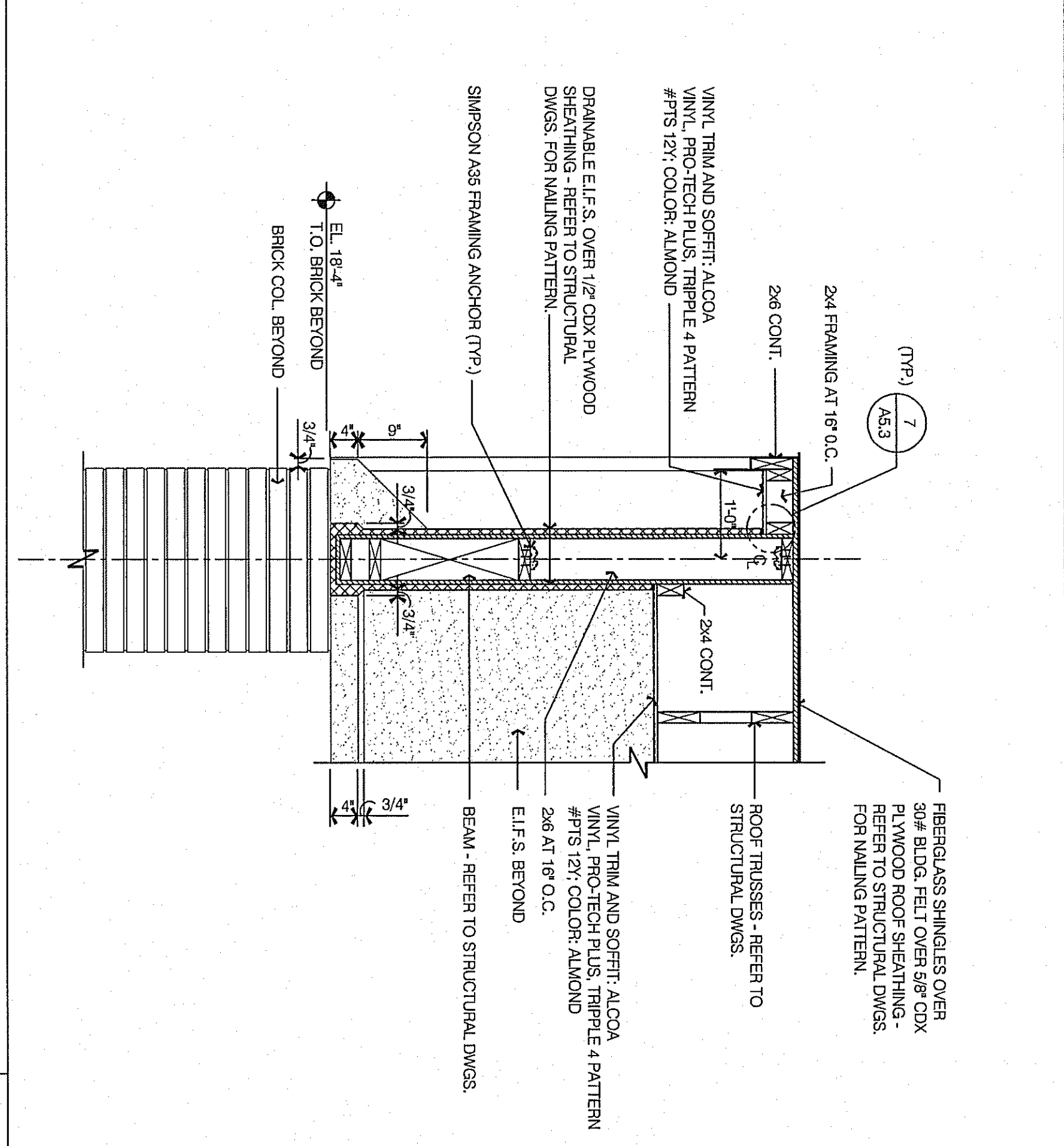
SECTION SCALE 3/4" = 1'-0"



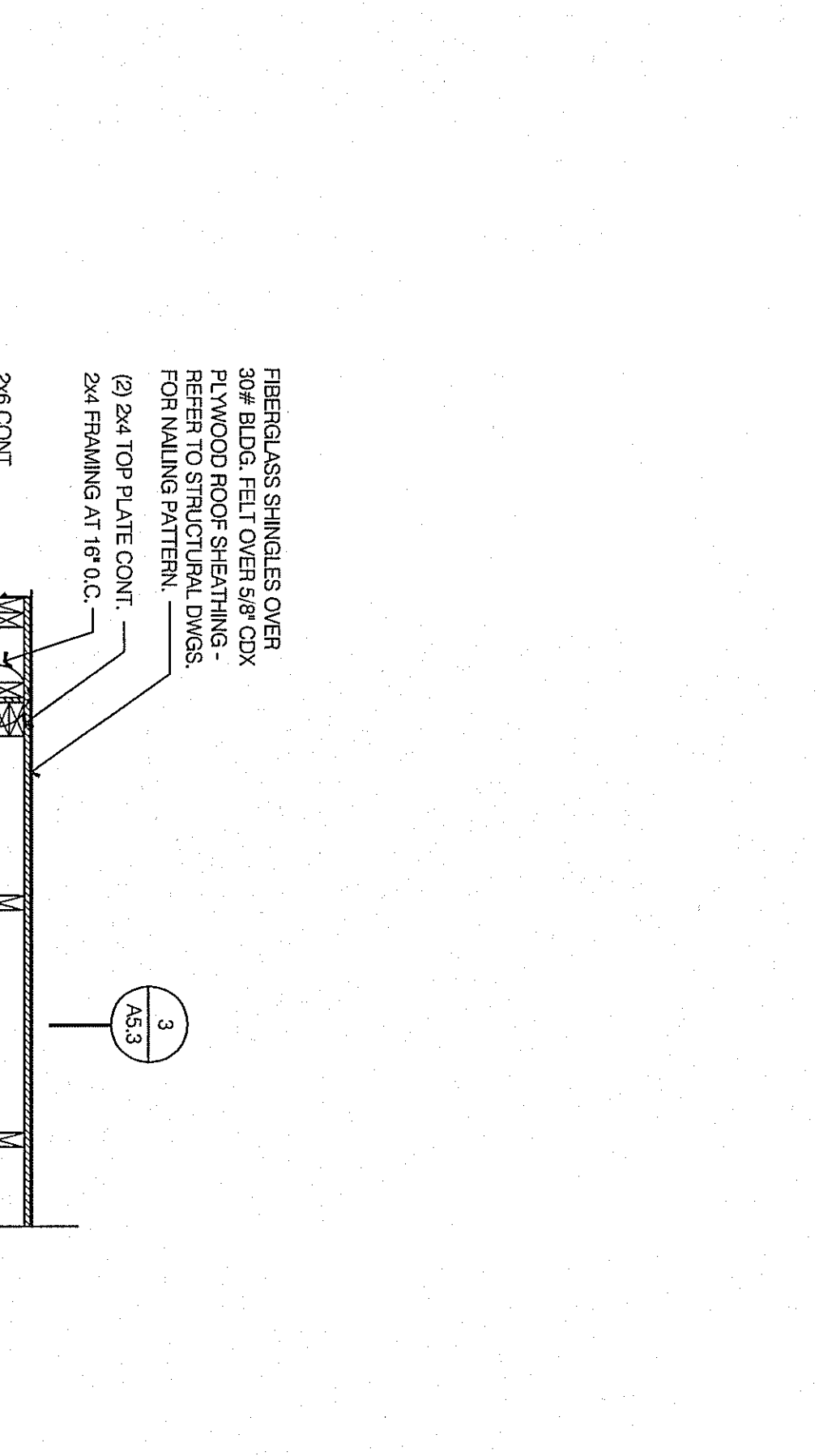
SECTION SCALE 3/4" = 1'-0"



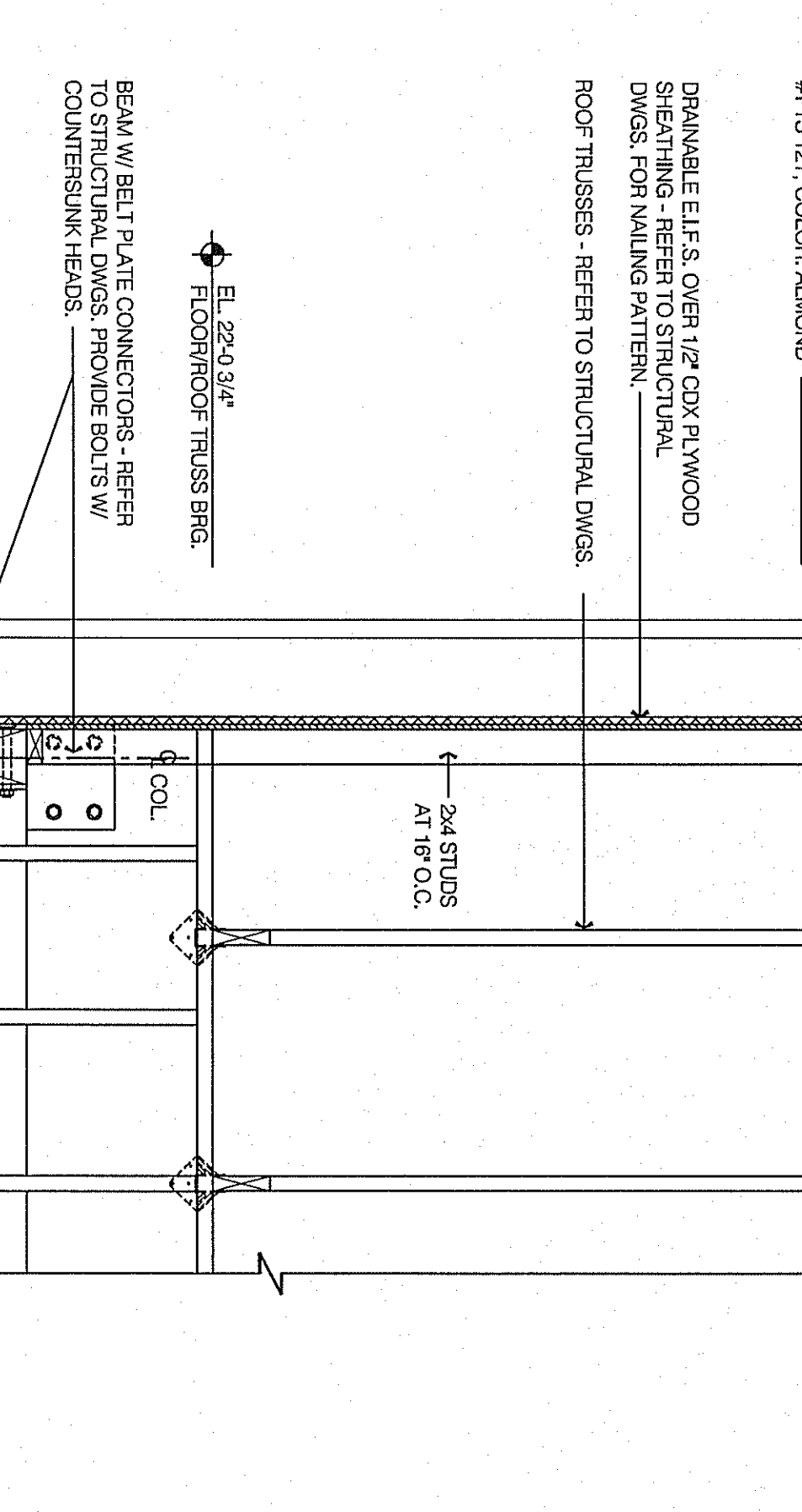
SECTION SCALE 3/4" = 1'-0"



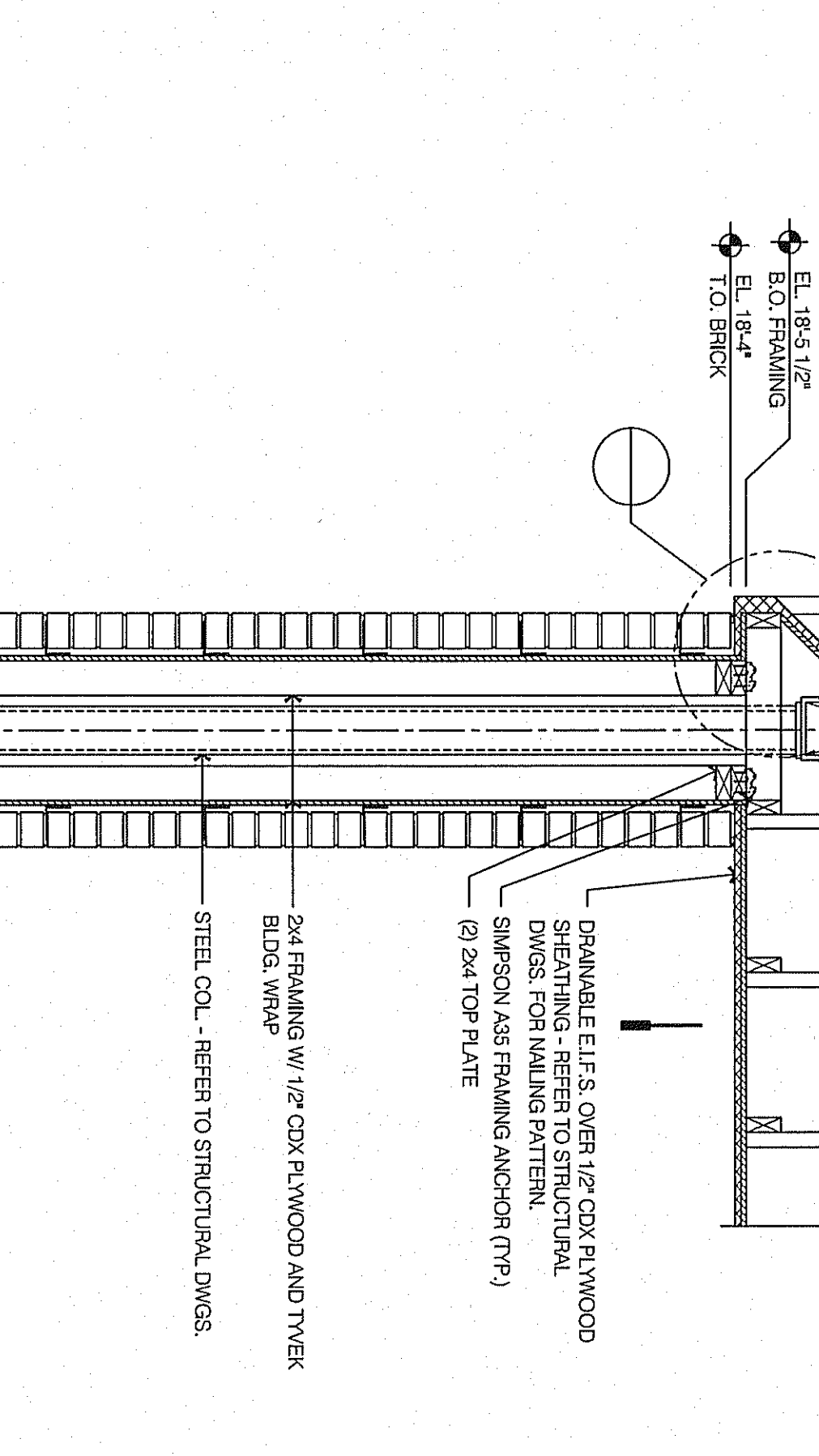
SECTION SCALE 3/4" = 1'-0"



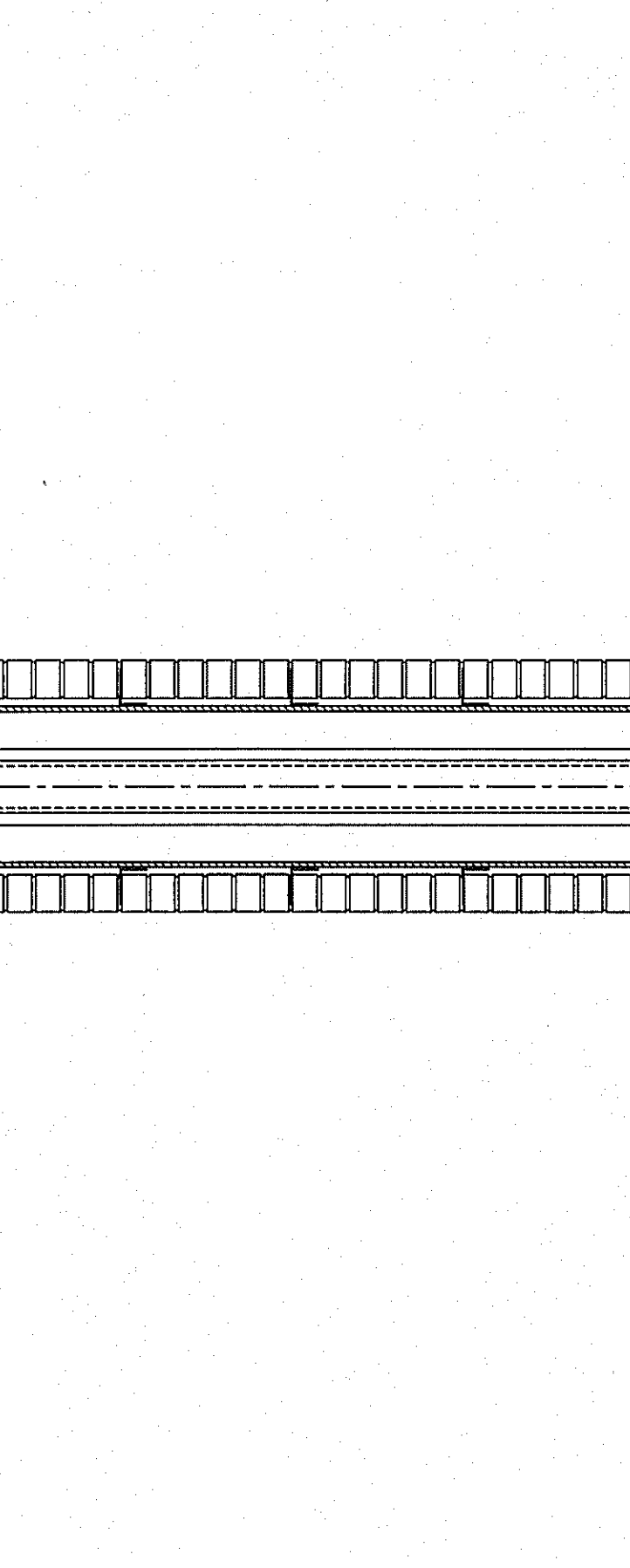
SECTION SCALE 3/4" = 1'-0"



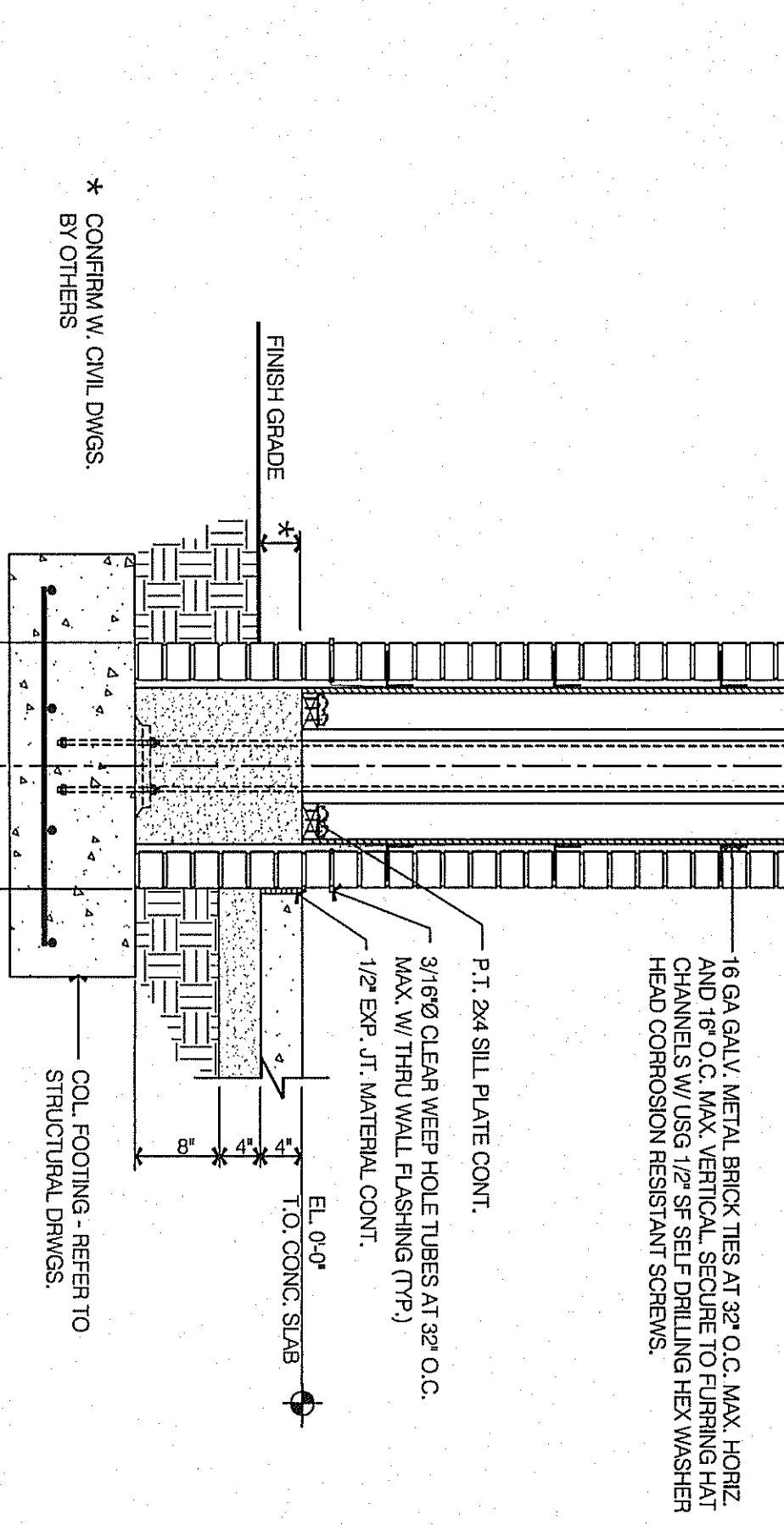
SECTION SCALE 3/4" = 1'-0"



SECTION SCALE 3/4" = 1'-0"



SECTION SCALE 3/4" = 1'-0"

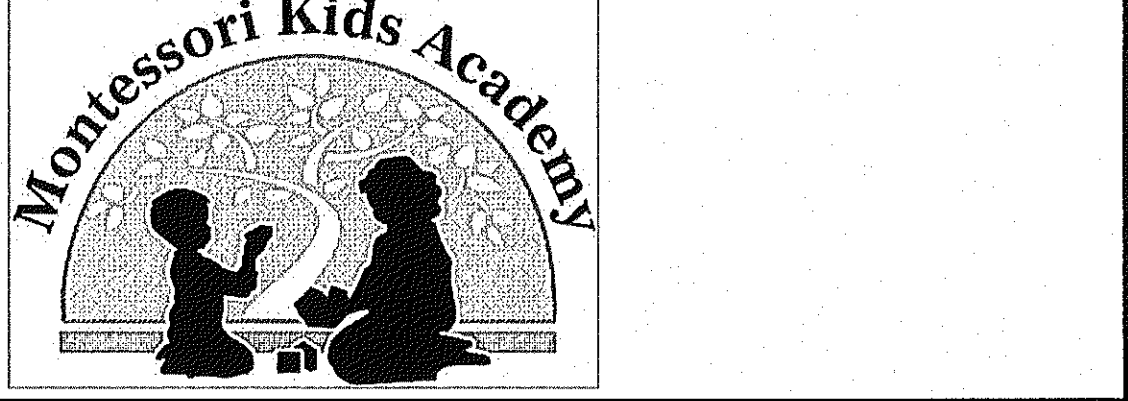


SECTION SCALE 3/4" = 1'-0"

dennis j. dubey, architect
 6327 Point Twenty Two
 Gainesville, Georgia 30506
 Phone (678) 231-4050
 E-Mail: djdarch@bellsouth.net

NOT RELEASED FOR CONSTRUCTION
 PROFESSIONAL SEAL

PROJECT LOCATION
 3034 OLD ATANTA ROAD
 CHAMBERS, GA 30011



REVISIONS

SECTIONS AND DETAILS

DATE PROJECT No.
 8-17-09 29001
SHEET No.
A5.3