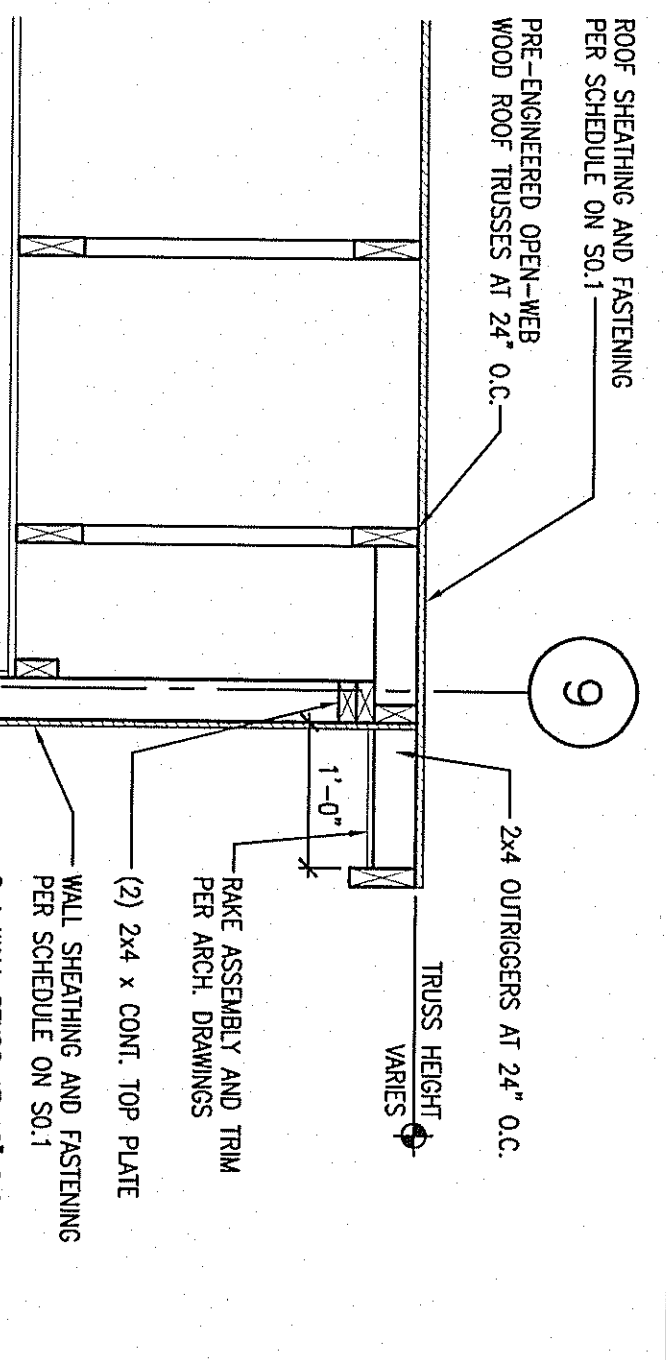
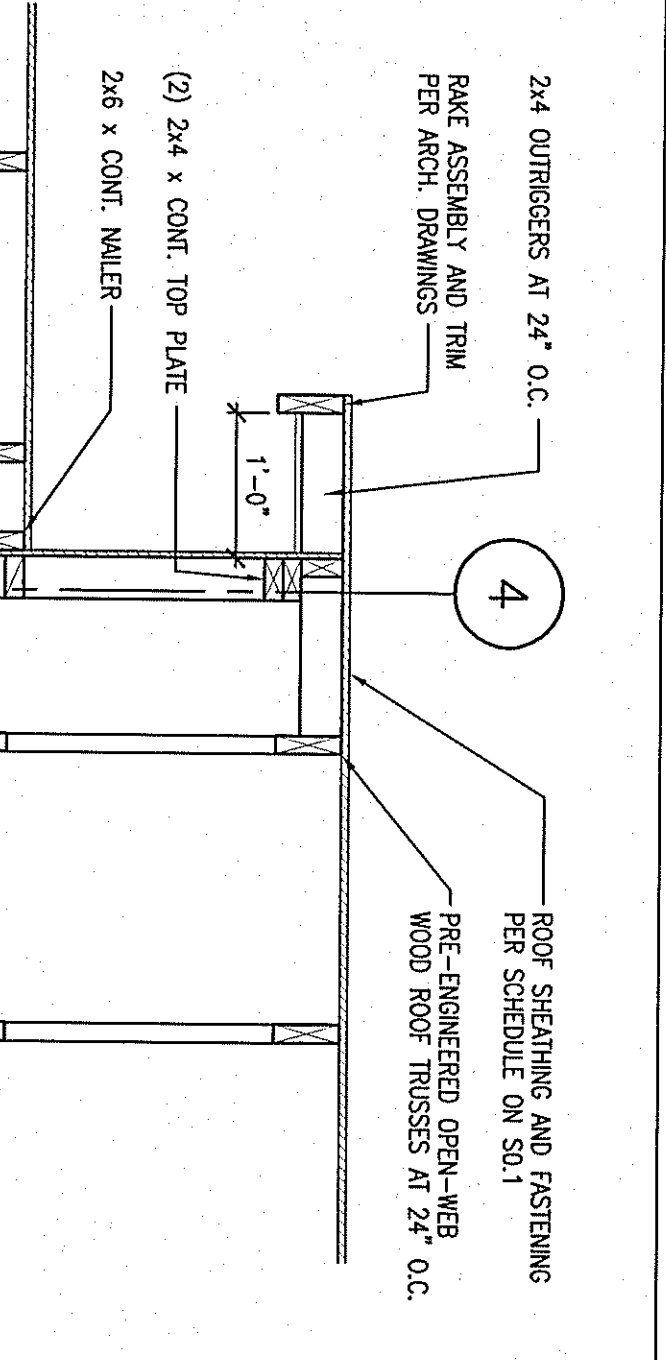


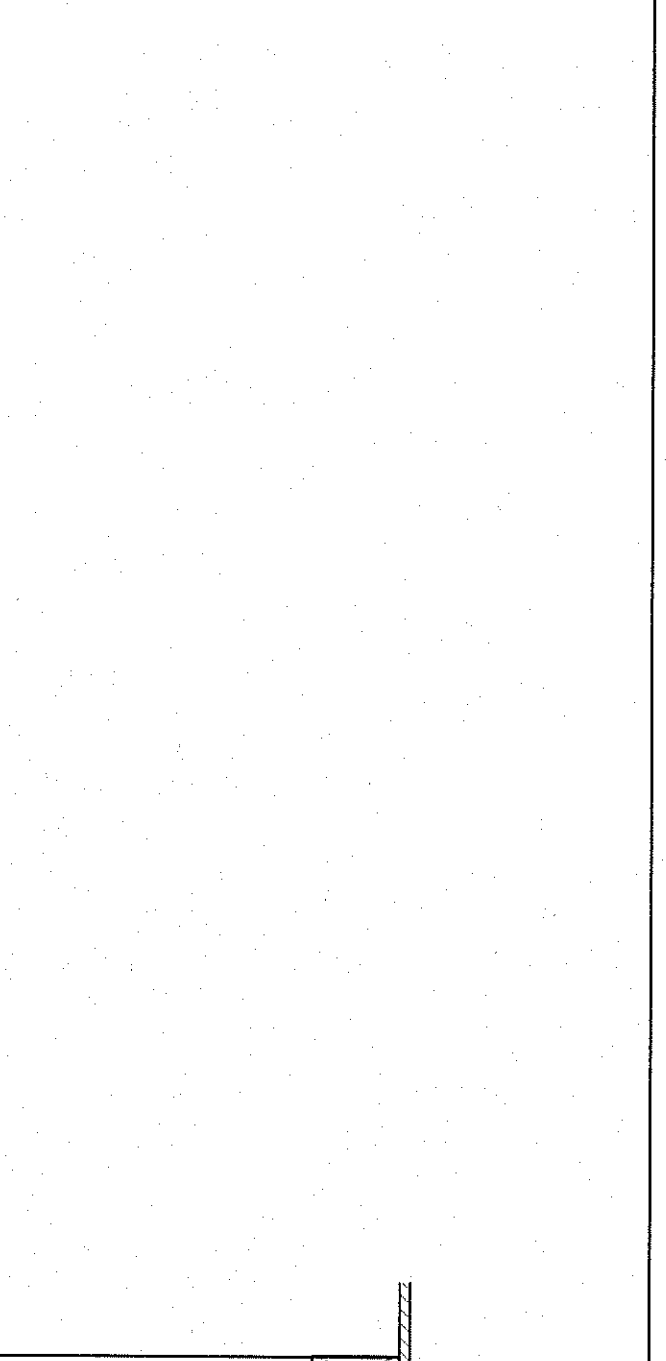
1 SECTION  
S2.3 SCALE: 3/4" = 1'-0"



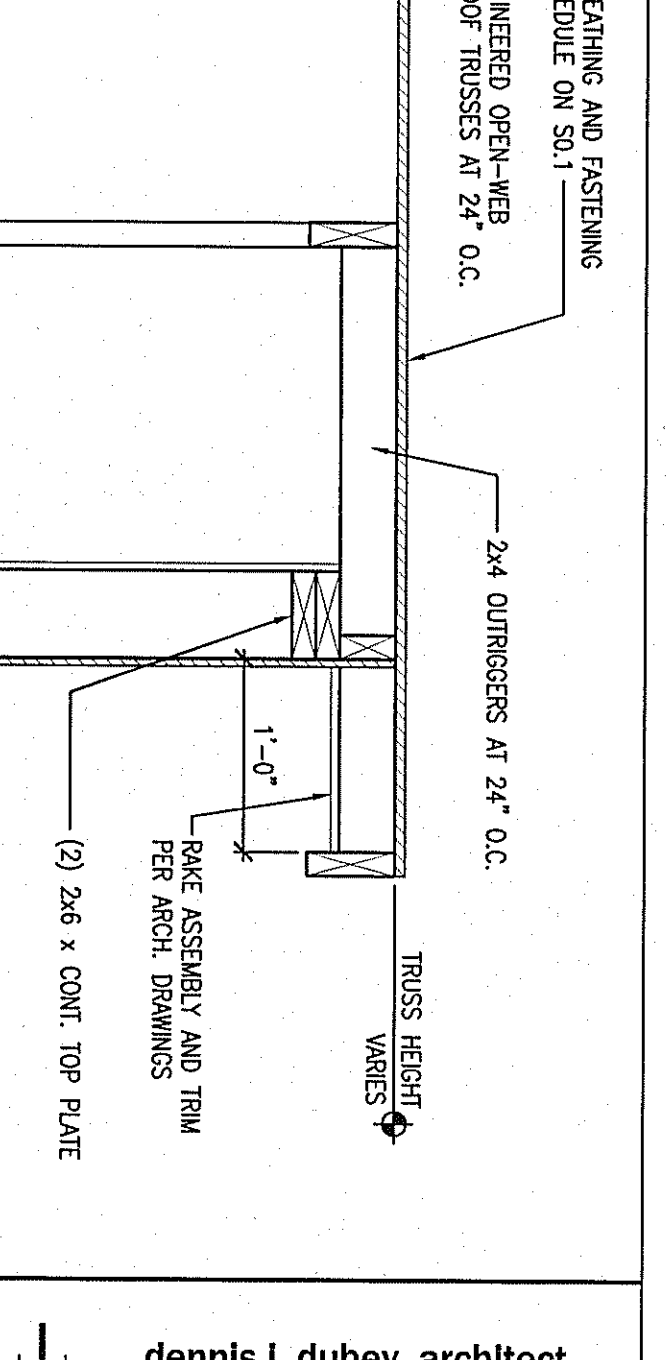
2 SECTION  
S2.3 SCALE: 3/4" = 1'-0"



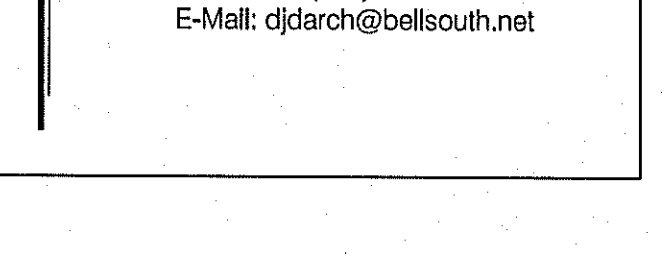
3 SECTION  
S2.3 SCALE: 3/4" = 1'-0"



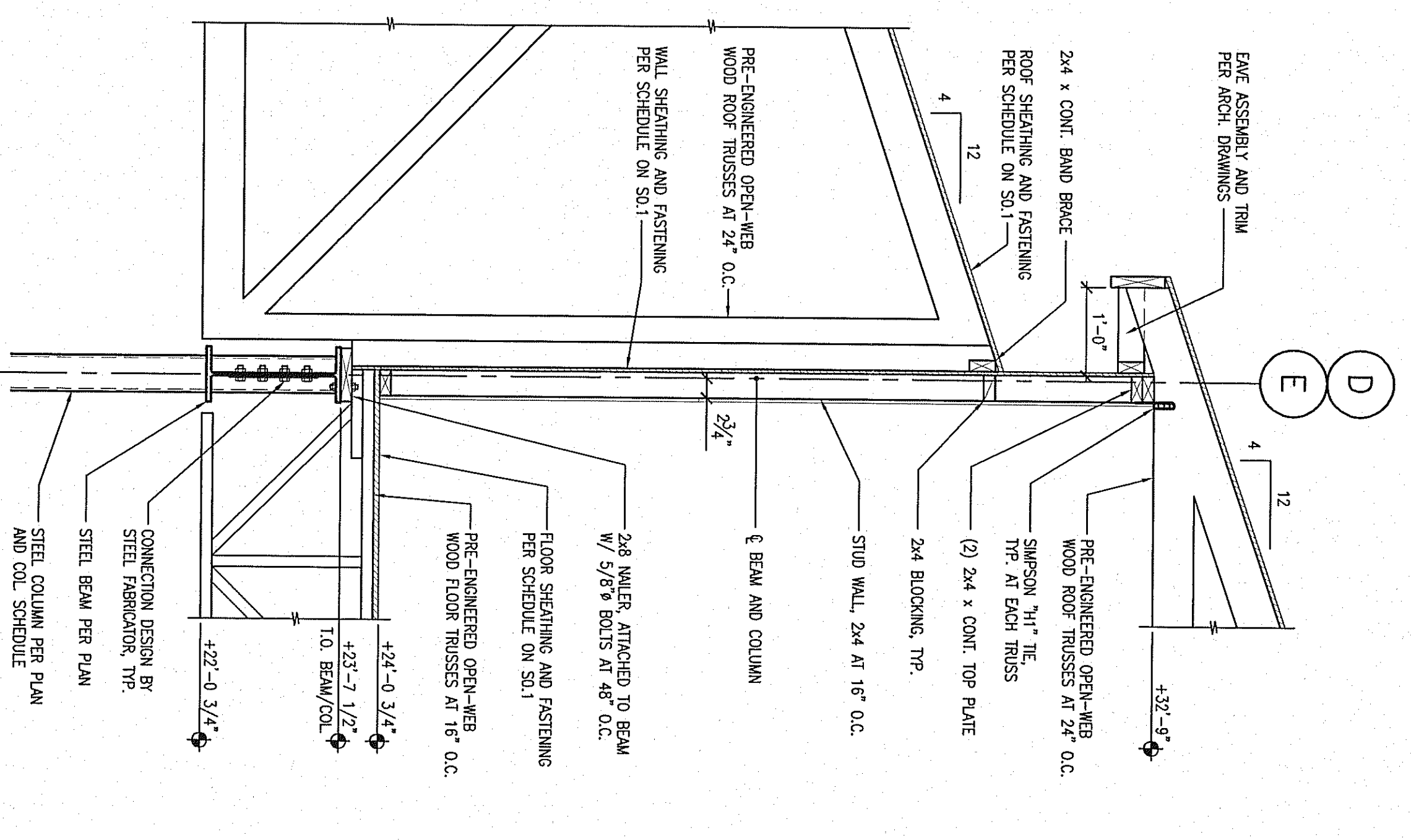
4 SECTION  
S2.3 SCALE: 3/4" = 1'-0"



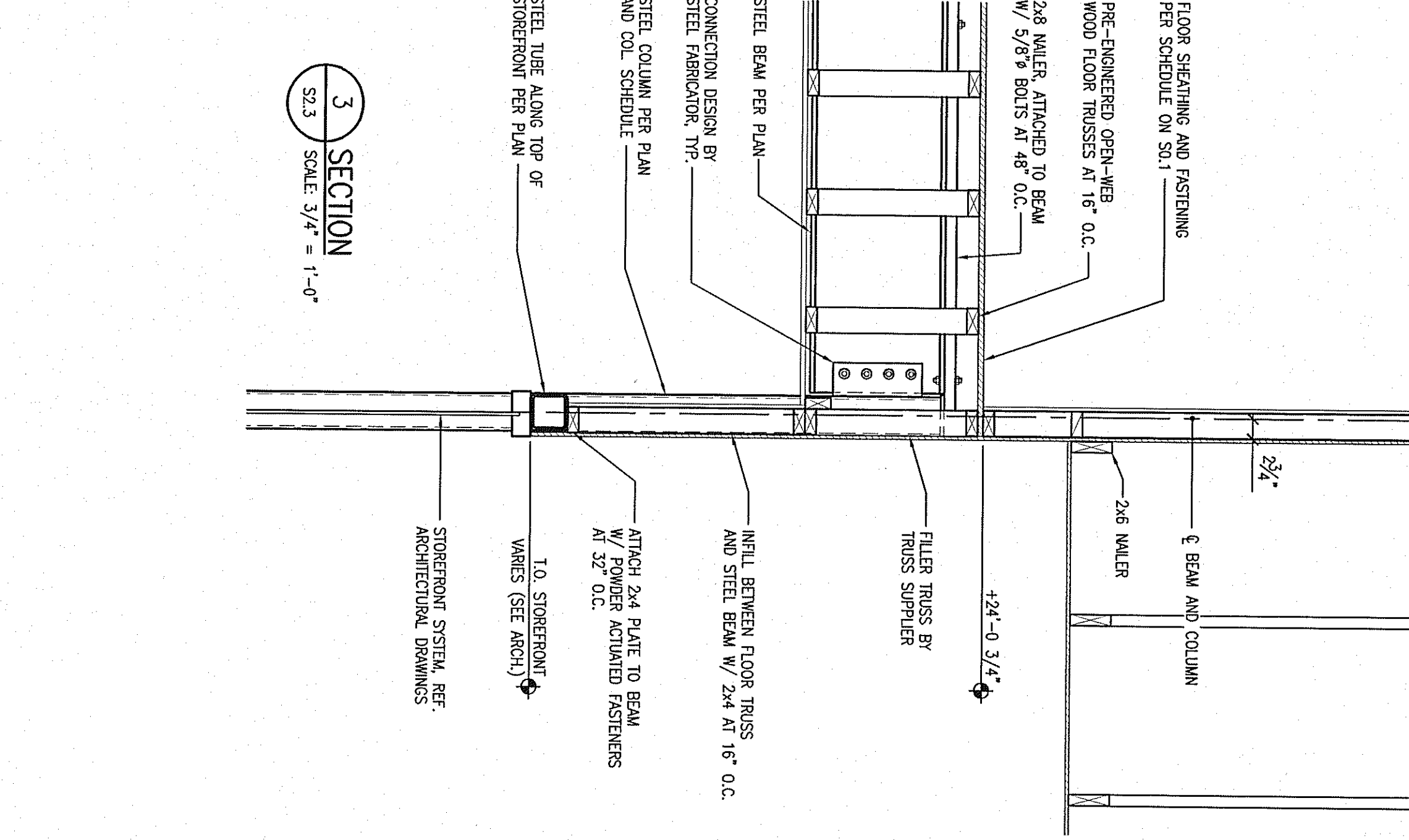
5 SECTION  
S2.3 SCALE: 3/4" = 1'-0"



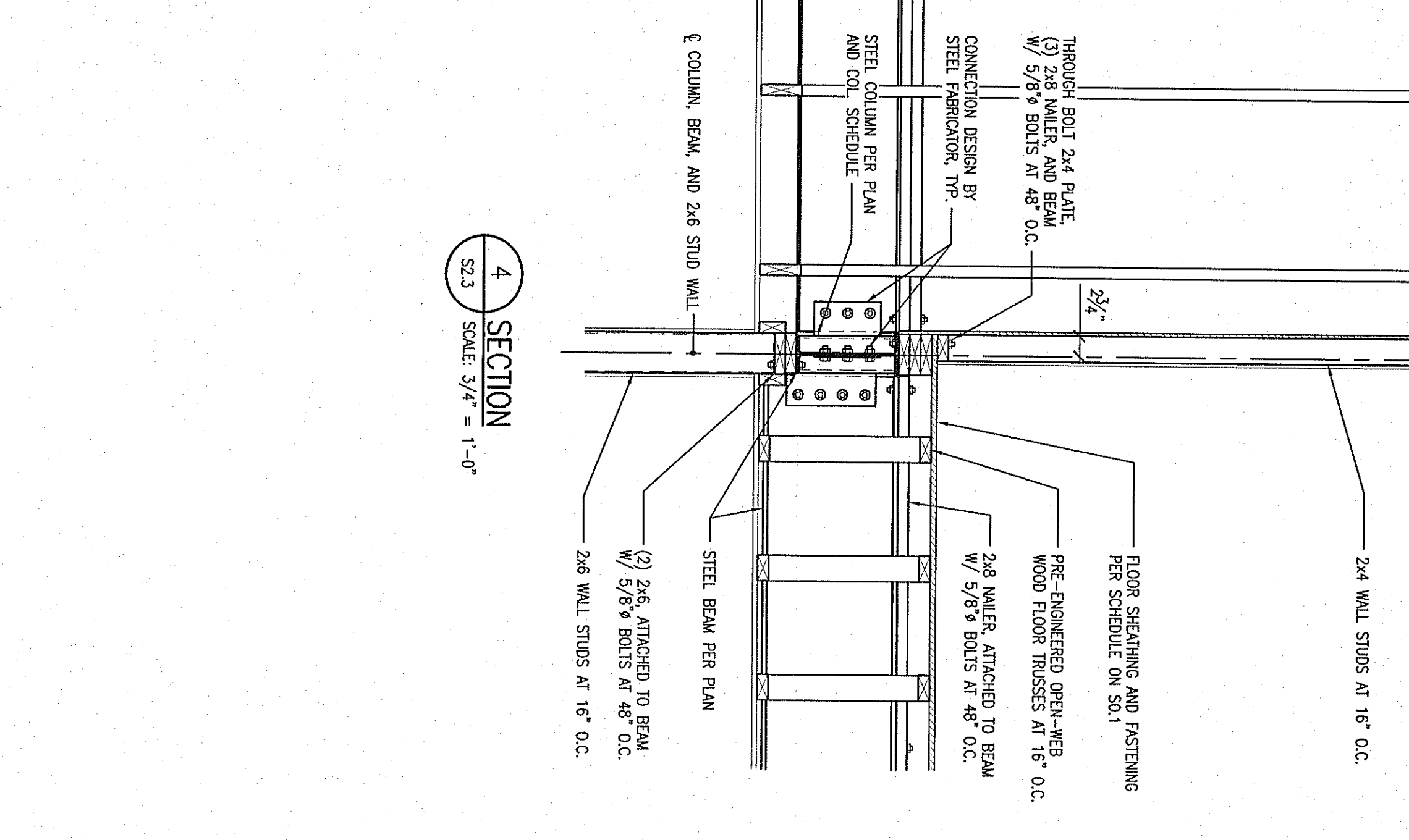
6 SECTION  
S2.3 SCALE: 3/4" = 1'-0"



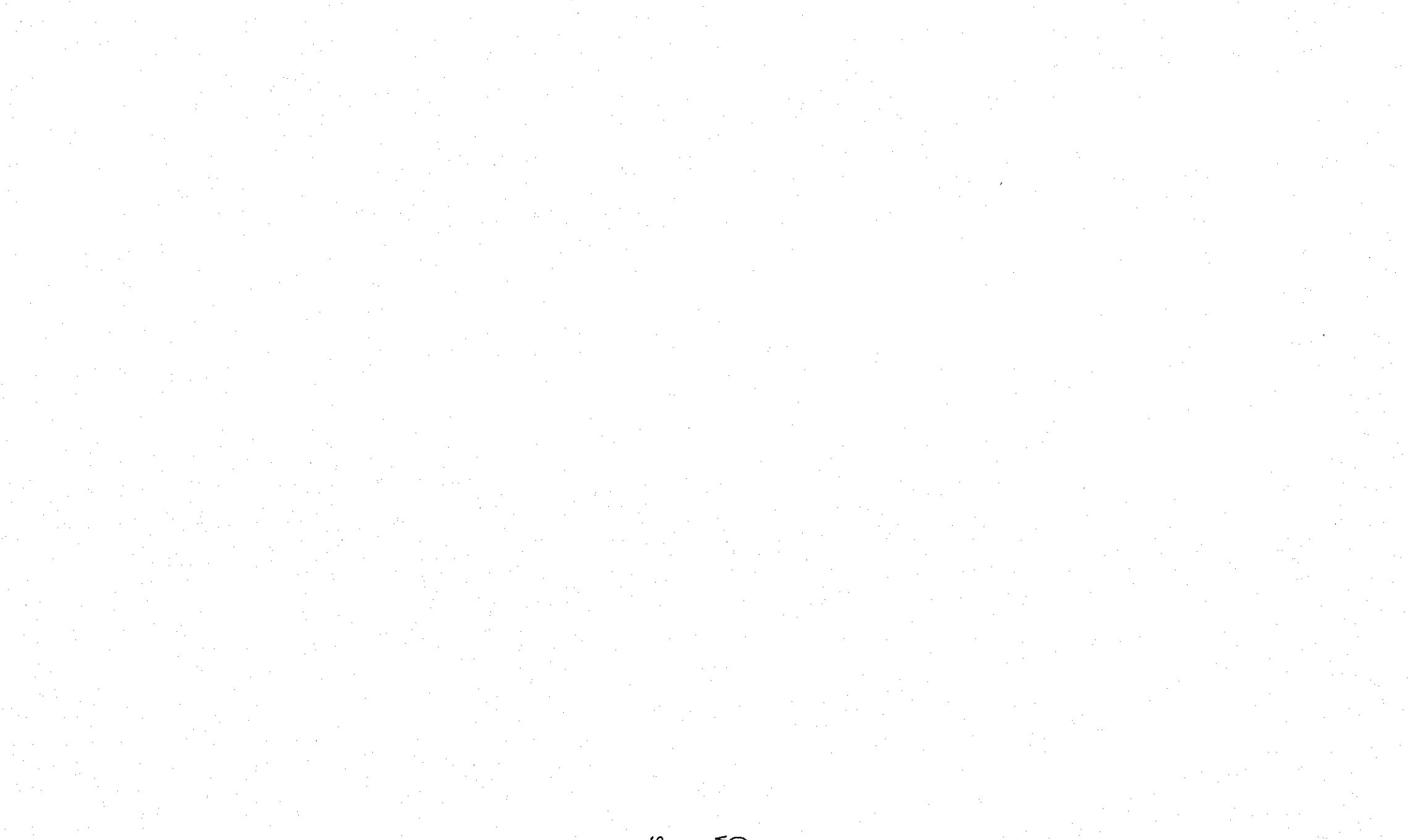
7 SECTION  
S2.3 SCALE: 3/4" = 1'-0"



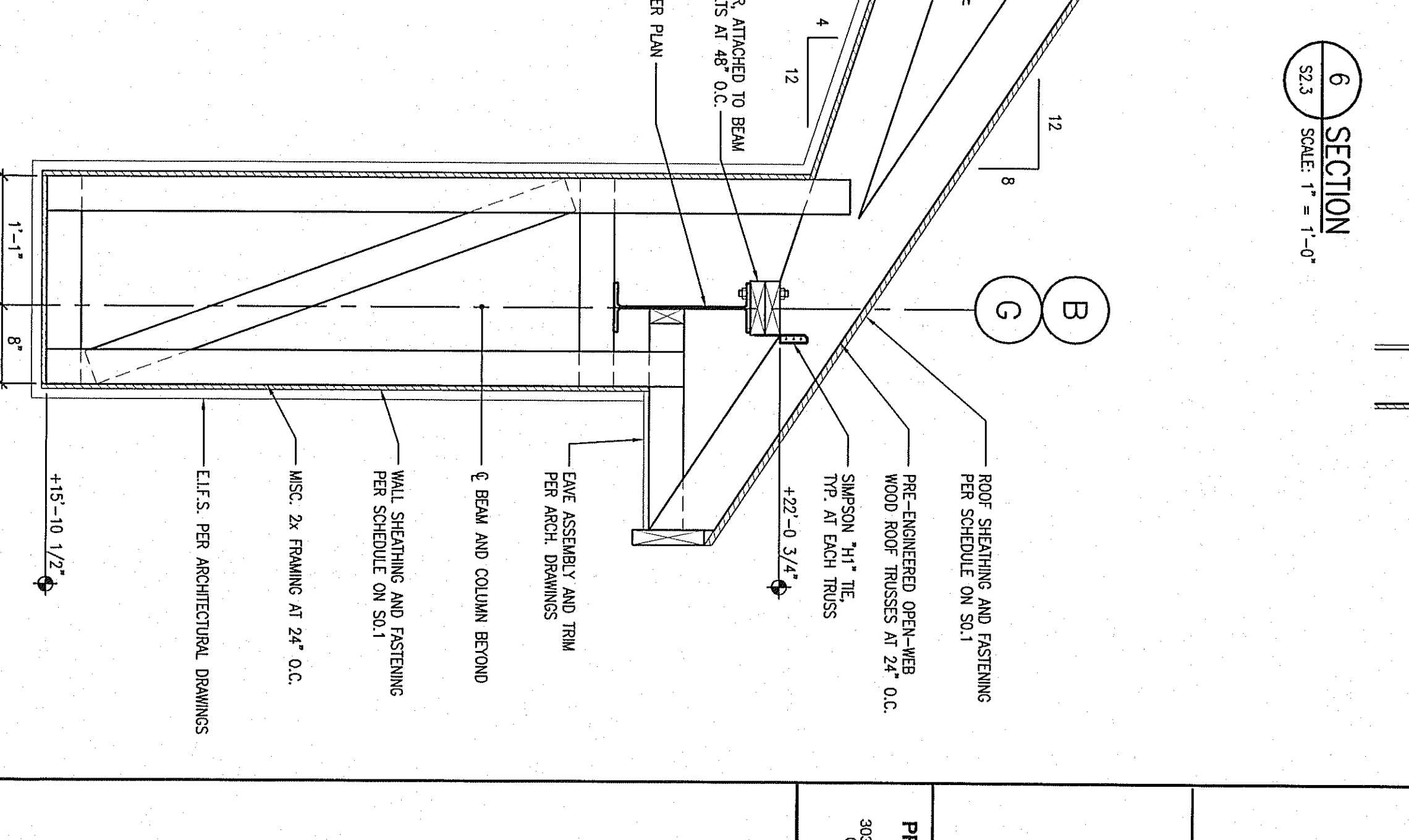
8 SECTION  
S2.3 SCALE: 3/4" = 1'-0"



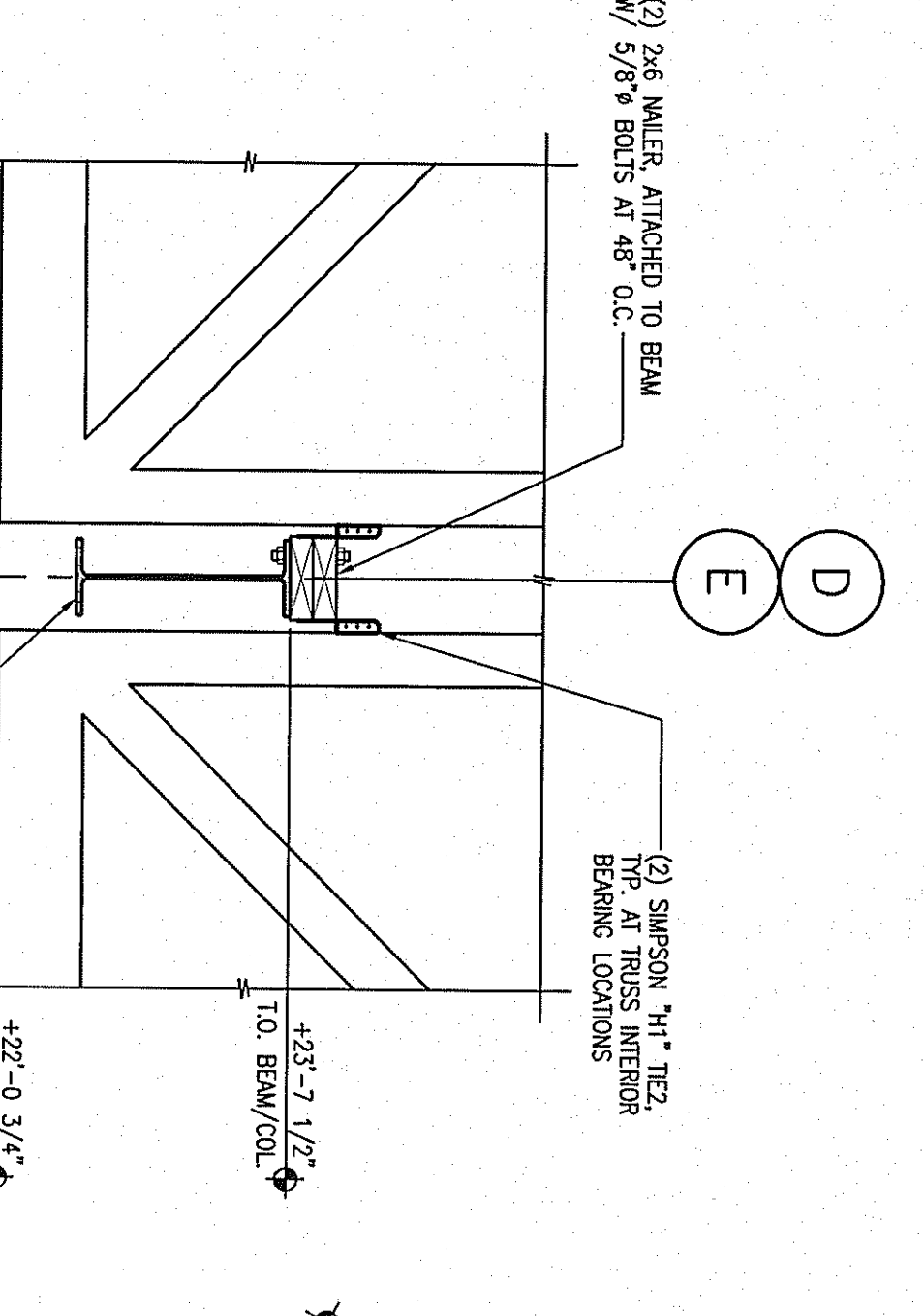
9 SECTION  
S2.3 SCALE: 3/4" = 1'-0"



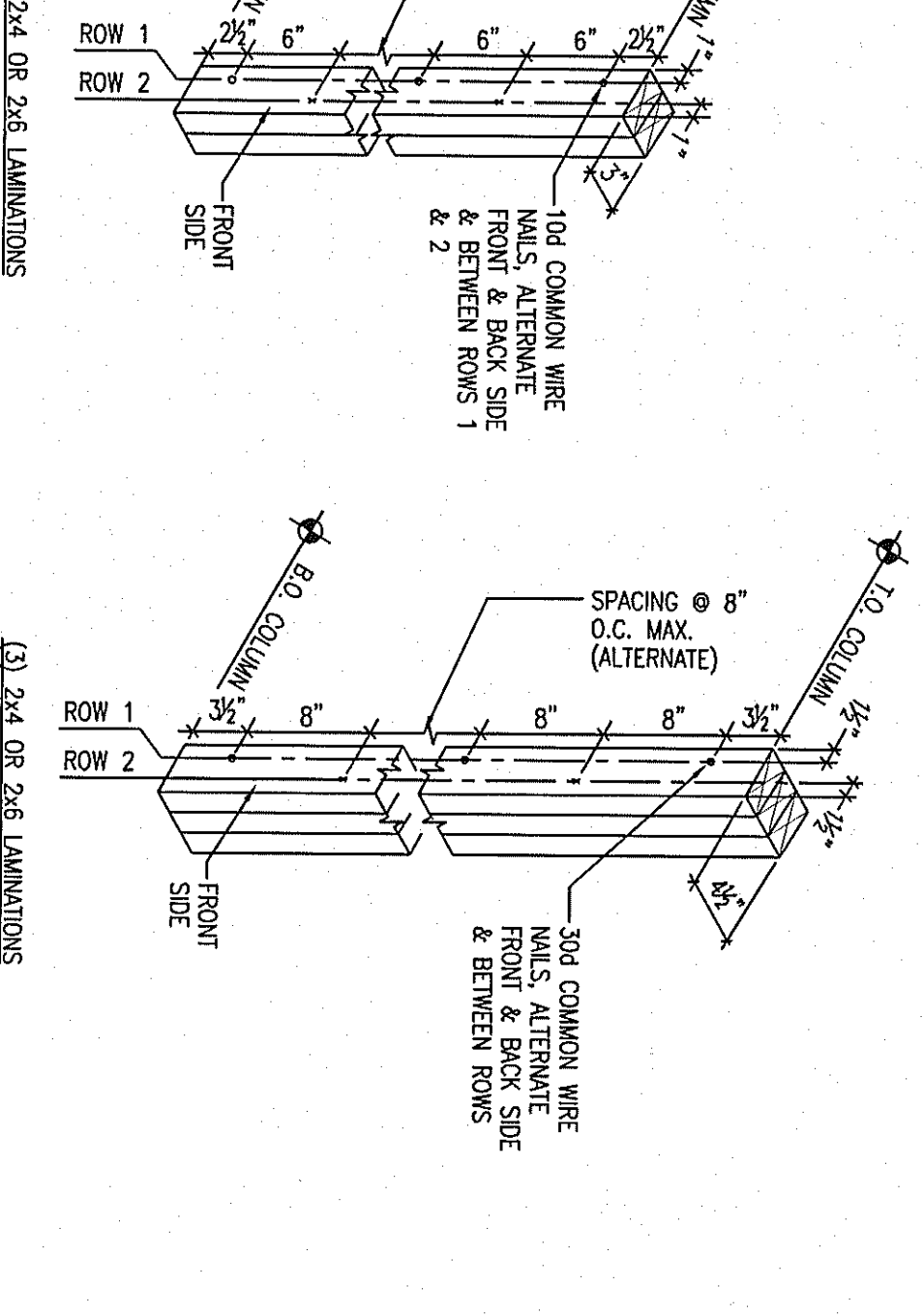
10 SECTION  
S2.3 SCALE: 3/4" = 1'-0"



11 SECTION  
S2.3 SCALE: 3/4" = 1'-0"



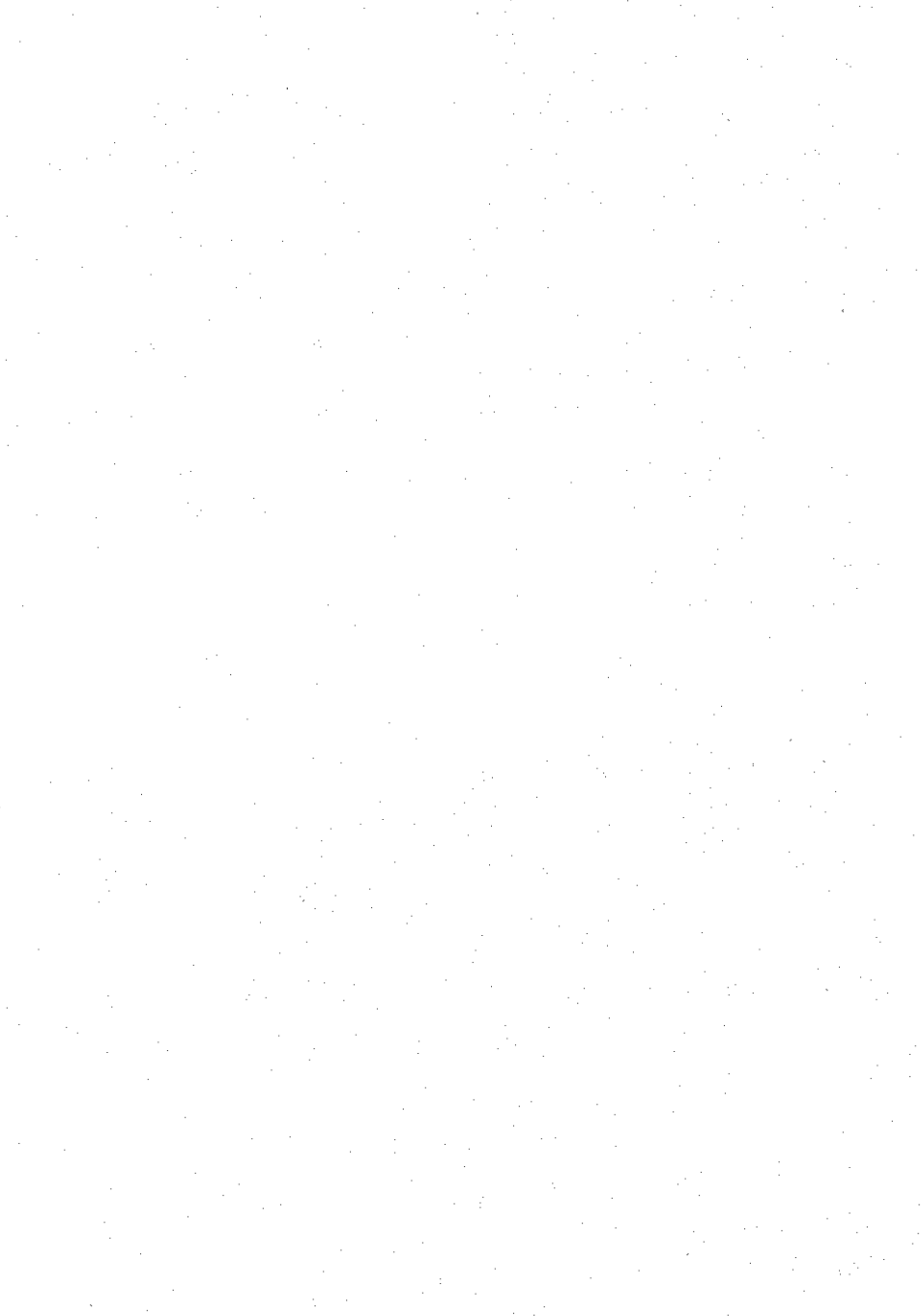
12 SECTION  
S2.3 SCALE: 3/4" = 1'-0"



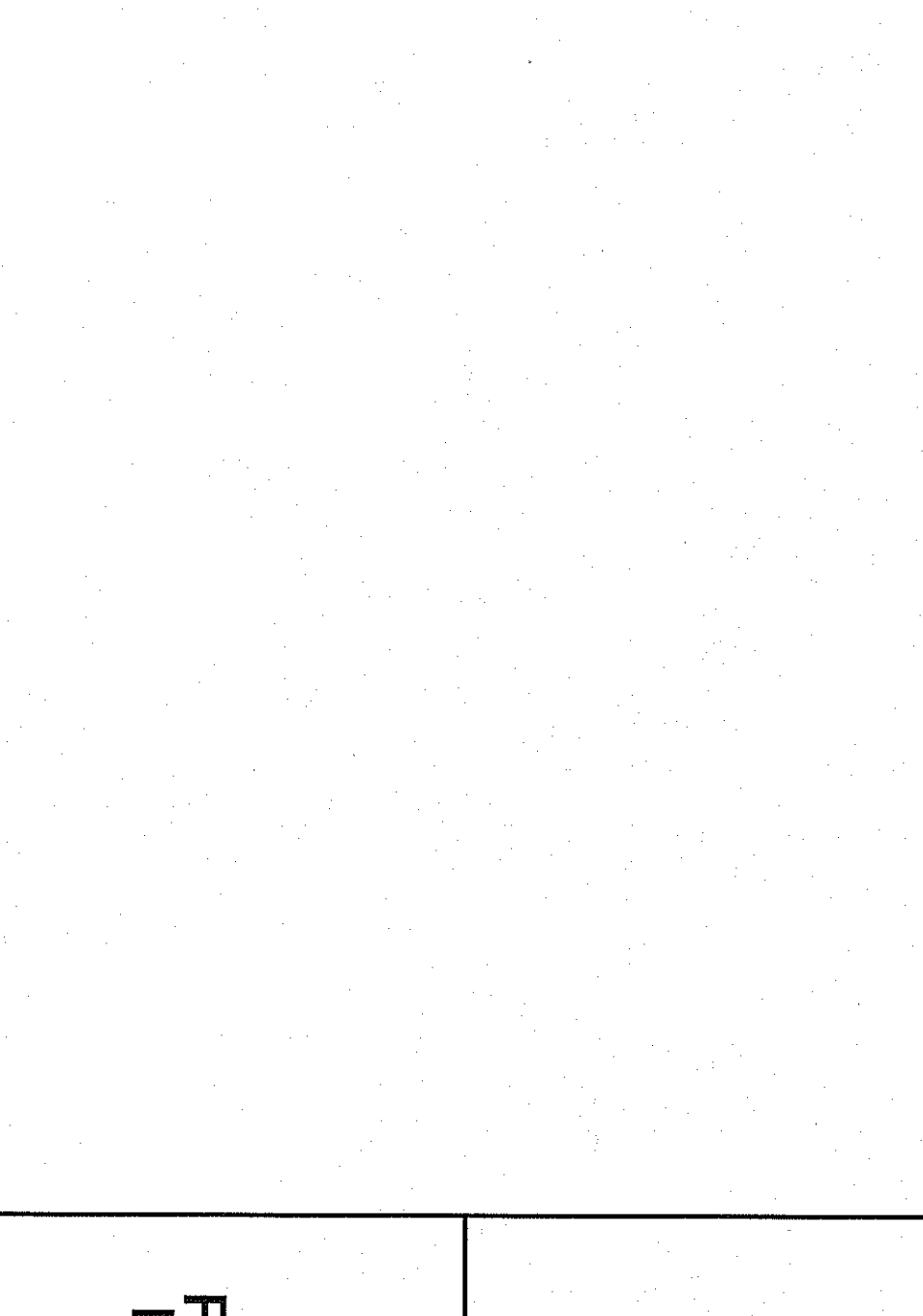
13 SECTION  
S2.3 SCALE: 3/4" = 1'-0"



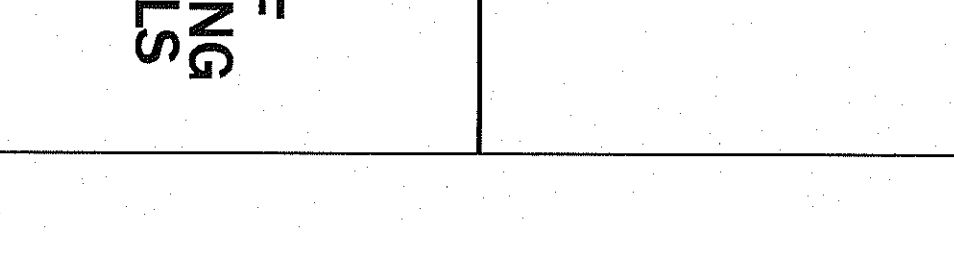
14 SECTION  
S2.3 SCALE: 3/4" = 1'-0"



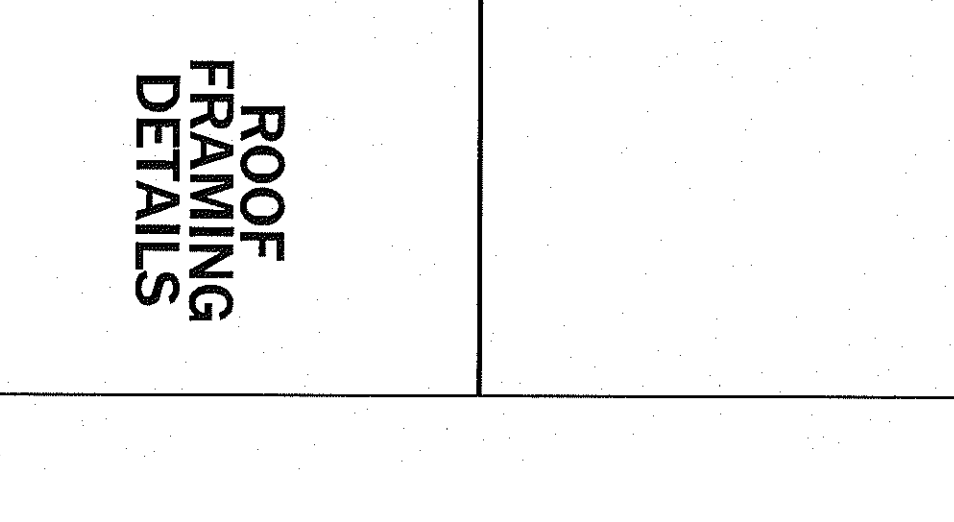
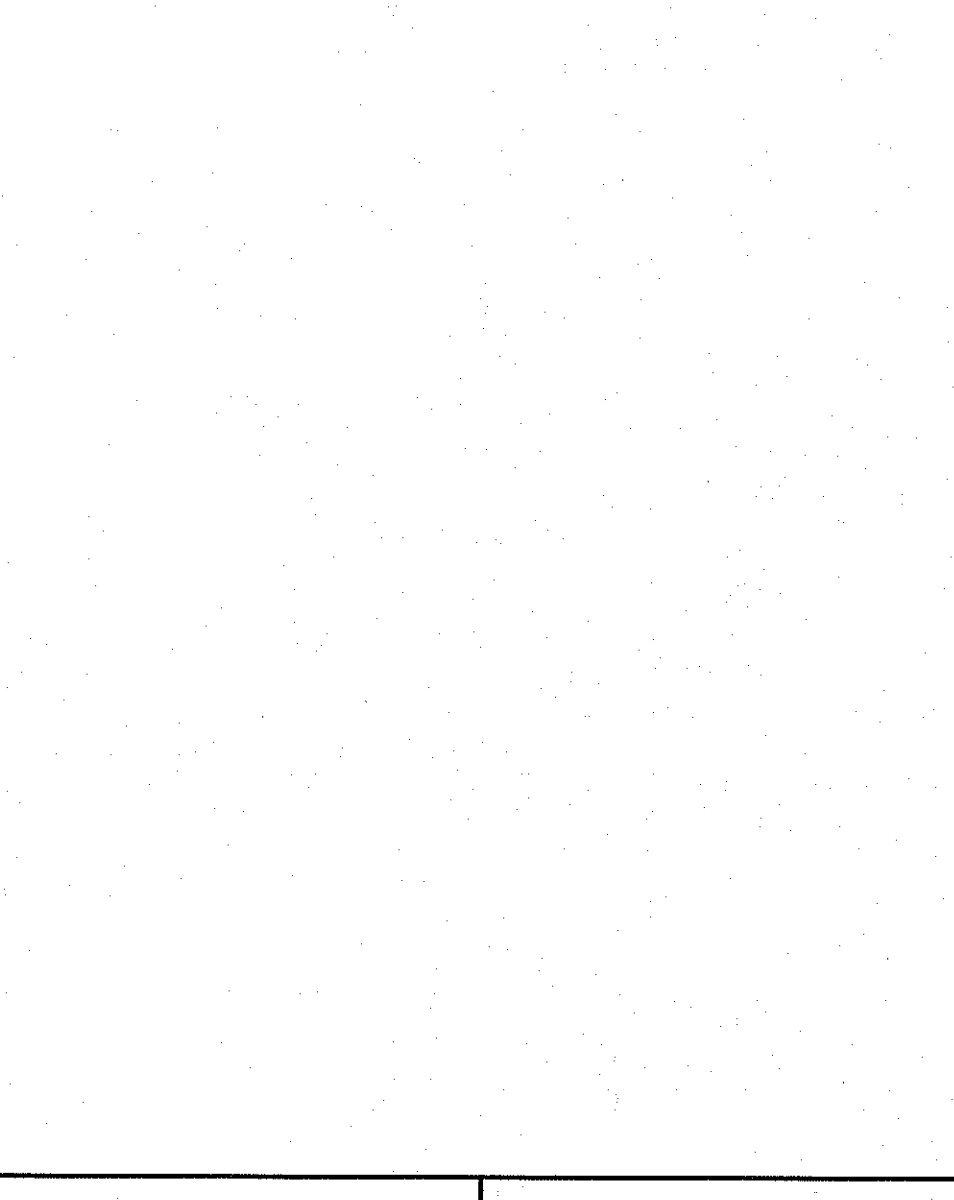
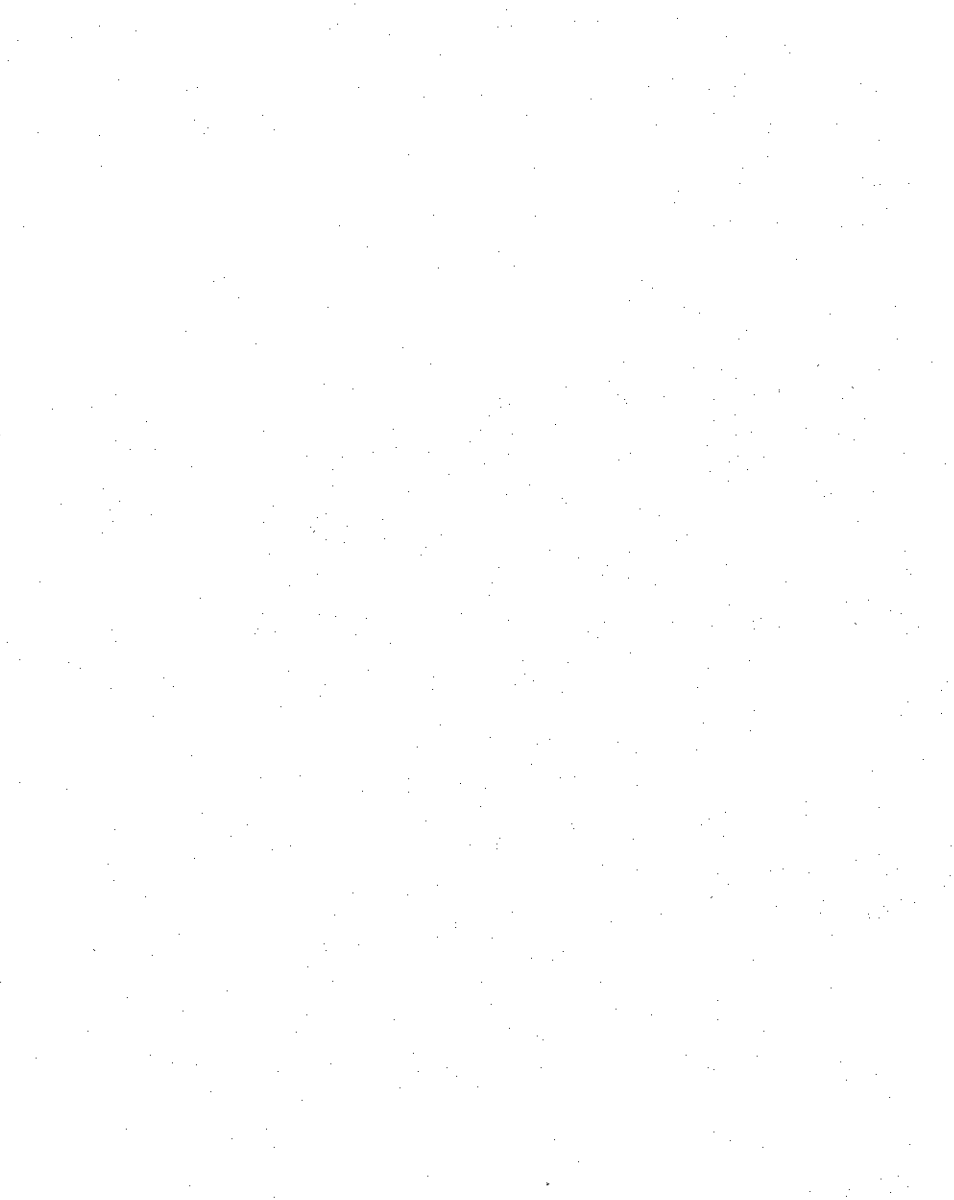
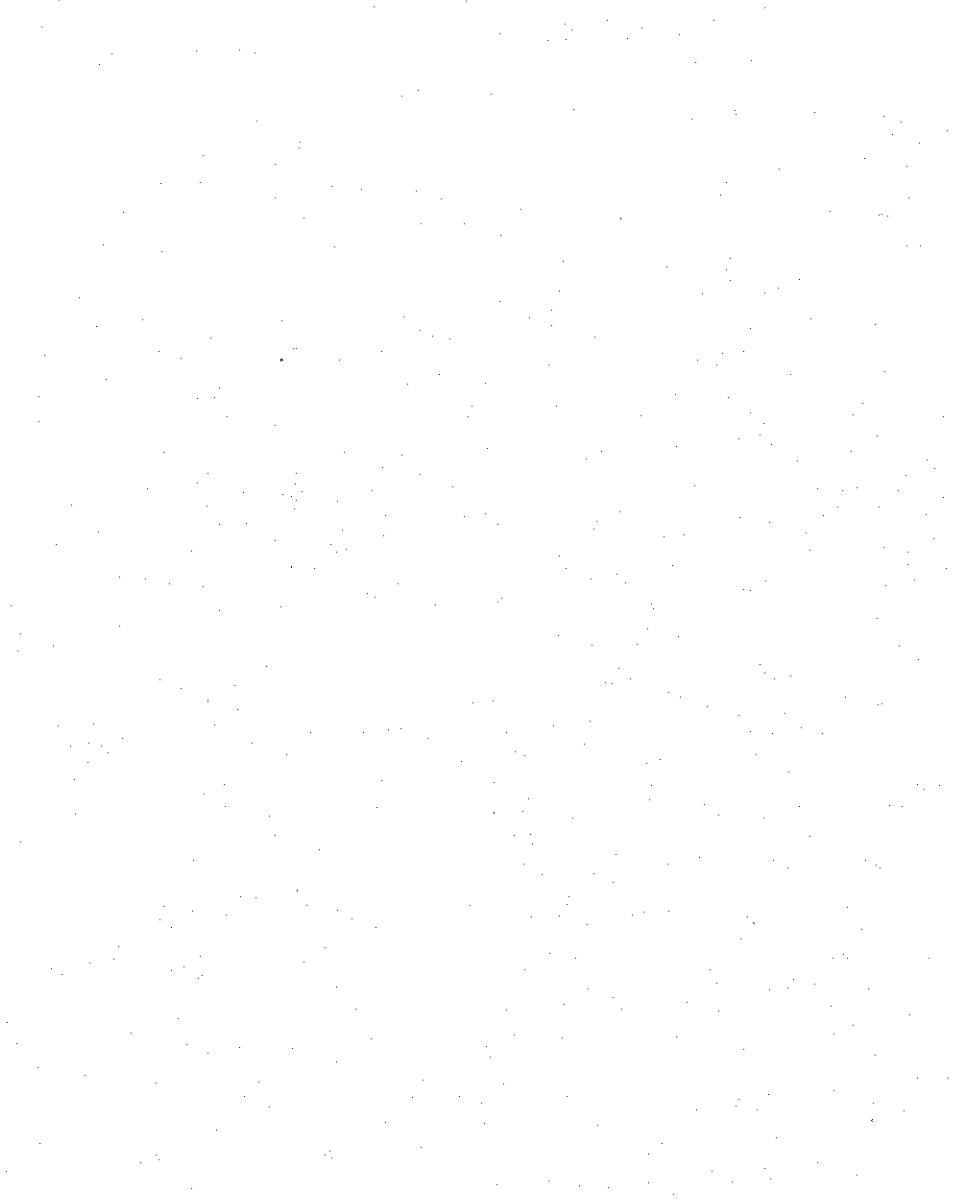
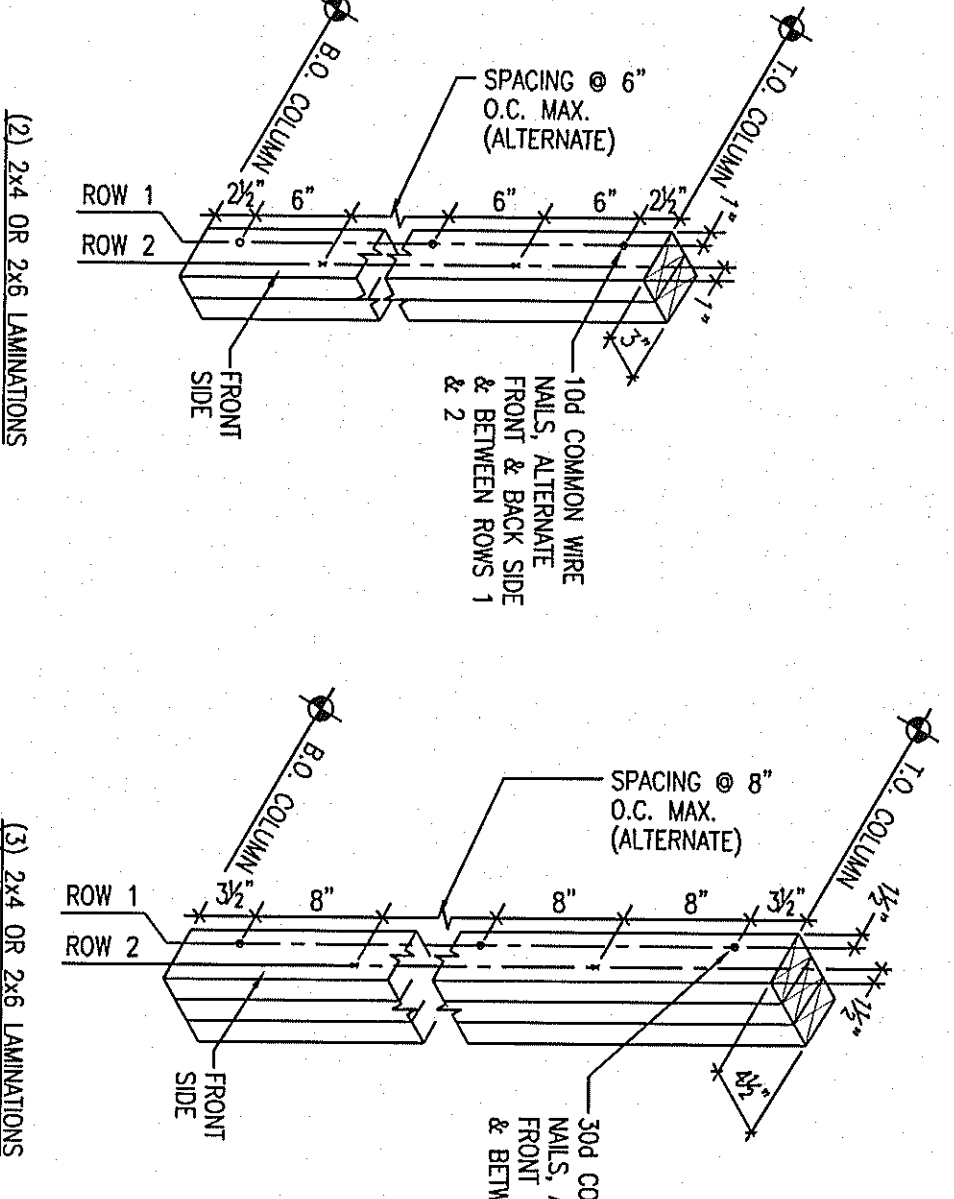
15 SECTION  
S2.3 SCALE: 3/4" = 1'-0"



16 SECTION  
S2.3 SCALE: 3/4" = 1'-0"



17 SECTION  
S2.3 SCALE: 3/4" = 1'-0"



PROGRESS SET - NOT FOR CONSTRUCTION

MONTESSORI SCHOOL

3084 OLD ATLANTA ROAD COLUMBIA, GA 30001

PROFESSIONAL SEAL

NOT RELEASED FOR CONSTRUCTION

REVISIONS

ROOF FRAMING DETAILS

SHEET No. S2.3

DATE PROJECT No. 7-15-09 29001

Bowman Engineering, Inc. 3939 Old Flower Branch Road Oakland, CA 94612 Phone: (770) 297-0075 Fax: (770) 297-0078

dennis j. dubey, architect 6327 Point Twenty Two Gainesville, Georgia 30506 Phone (678) 231-4050 E-Mail: djd@arch@bellsouth.net